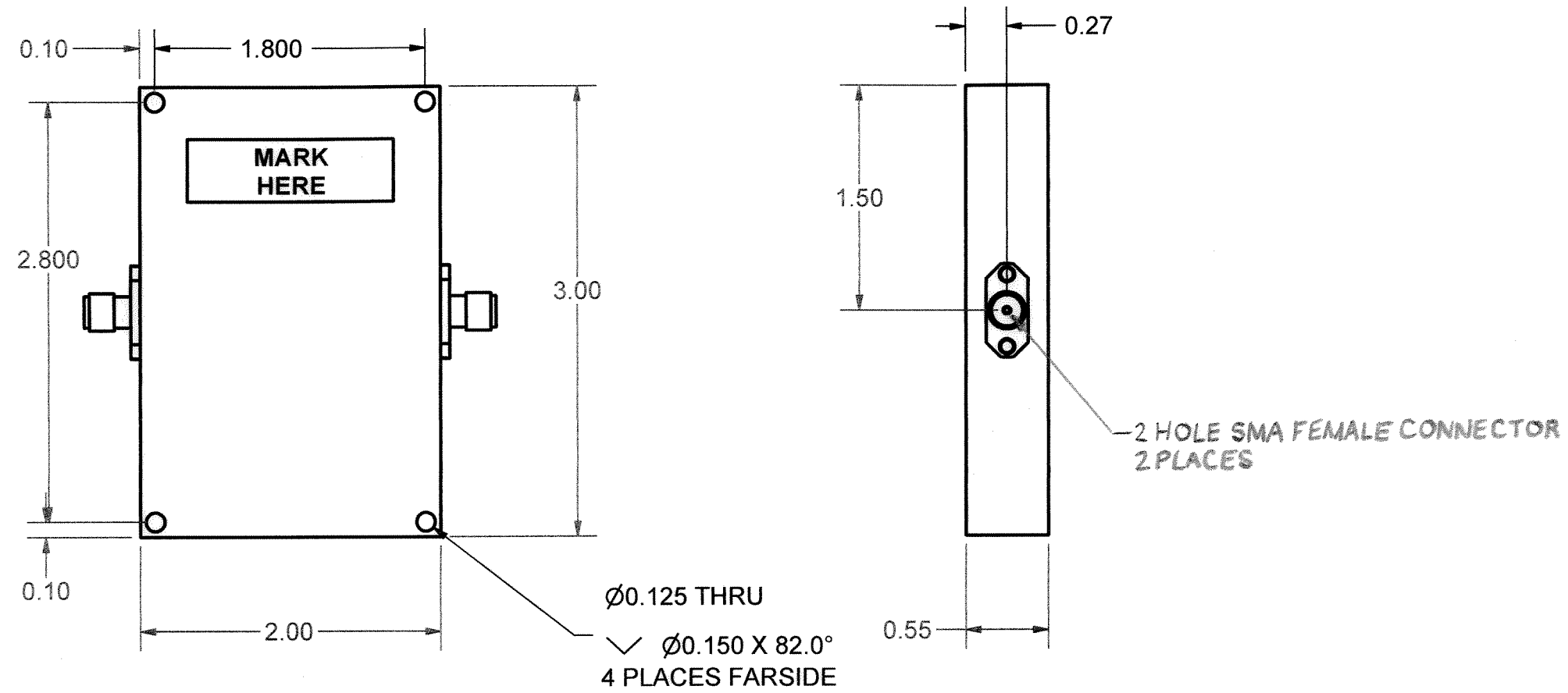


THIS DOCUMENT CONTAINS INFORMATION PROPRIETARY TO DELTA MICROWAVE. ANY REPRODUCTION OF THIS DOCUMENT WITHOUT WRITTEN PERMISSION IS EXPRESSLY PROHIBITED.

| ZONE | REV | DISCRIPTION | DATE | APPROVED |
|------|-----|-------------|----------|--------------------|
| | A | RELEASED | 03/11/02 | <i>[Signature]</i> |



2. MARKING: USING BLACK WARNOW INK TO INCLUDE:
DELTA MICROWAVE, MODEL NO., SERIAL NO.,
CODE IDENT. NO. 51719 AND DATE CODE

1: FINISH: HAZE GRAY EPOXY POLYAMIDE TOPCOAT
PER MIL-DTL-24441C, SUP. 1
MIL-DTL-2441/21A, TYP 3, FORMULA 151
USING GREEN EPOXY POLYAMIDE PRIMER
MIL-DTL-2441/20A, TYP 3, FORMULA 150

NOTES:

| | | | |
|--|--------------------------------|---|--------------------------------|
| UNLESS OTHERWISE SPECIFIED DIMENSIONS ARE IN INCHES TOLERANCES ARE: FRACTIONS DECIMALS ANGLES + .xx ± .03 + - .xxx ± .010 - | CONTRACT NO. L54132 | DELTA MICROWAVE 1301 VANGUARD DRIVE OXNARD, CA 93033 | |
| | APPROVALS | DATE | TITLE |
| | DRAWN <i>N. GASTRO</i> | 03/11/02 | OUTLINE |
| | CHECKED <i>[Signature]</i> | 3/11/02 | |
| MATERIAL | APPROVED <i>[Signature]</i> | 3/11/02 | |
| FINISH | | SIZE B | CODE IDENT NO. 51719 |
| | | | DWG NO. L54132 |
| USED ON MODEL# | DO NOT SCALE DRAWING | SCALE 1/1 | SHEET 1 OF 1 |