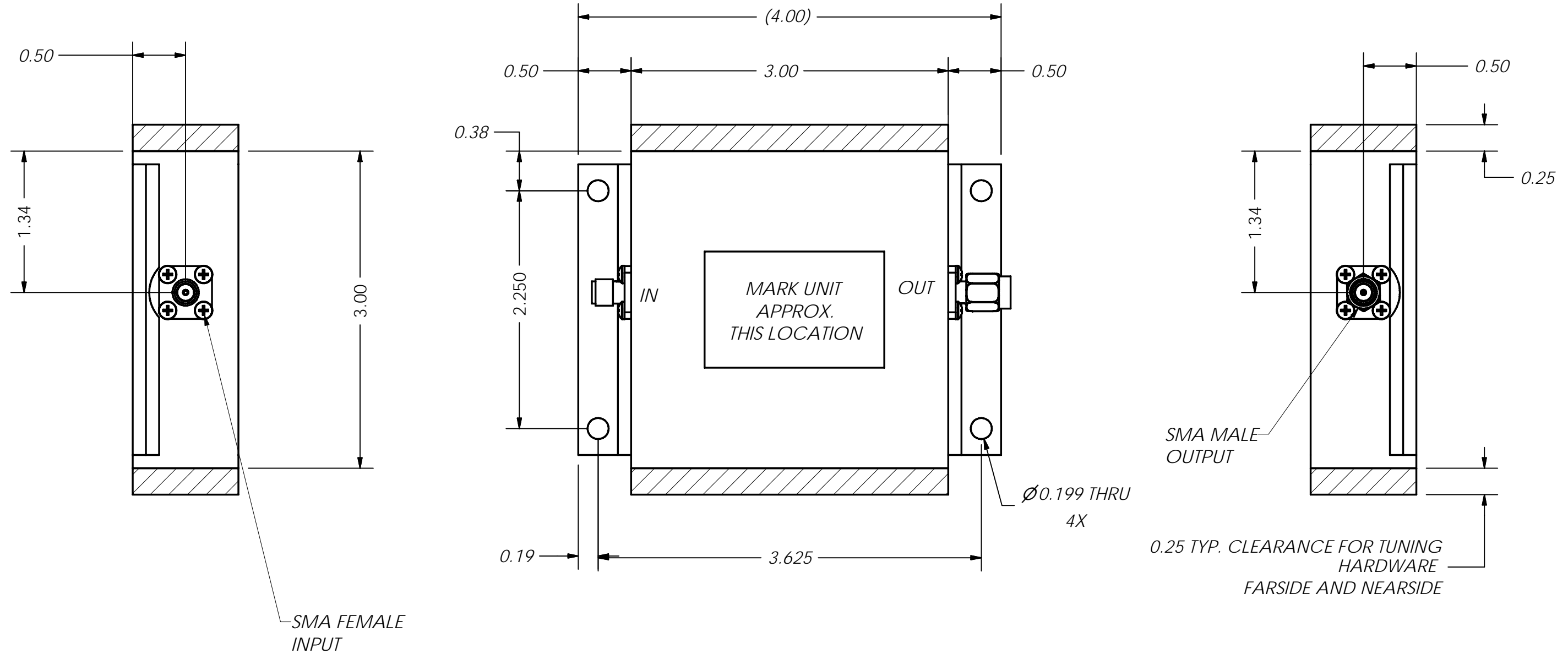


THIS DOCUMENT CONTAINS INFORMATION PROPRIETARY TO DELTA MICROWAVE. ANY REPRODUCTION WITHOUT WRITTEN PERMISSION IS EXPRESSLY PROHIBITED.

JOB # 5125

ZONE	REV	DESCRIPTION	DATE	APPROVED
	A	PRELIMINARY RELEASE	10/28/05	D.R.B.
	B	ECO#106845	12/01/05	




2. MARKING: USING LABEL OR BLACK WARNOW INK TO INCLUDE:
DELTA MICROWAVE, MODEL NO., SERIAL NO.,
CODE IDENT. NO. 51719 AND DATE CODE

1: FINISH: HAZE GRAY EPOXY POLYAMIDE TOPCOAT
PER MIL-DTL-24441C, SUP.1
MIL-DTL-24441/21, TYP 3, FORMULA 151
USING GREEN EPOXY POLYAMIDE PRIMER
MIL-DTL-24441/20, TYP 3, FORMULA 150

NOTES:

UNLESS OTHERWISE SPECIFIED DIMENSIONS ARE IN INCHES TOLERANCES ARE:			CONTRACT NO. L54144	
FRACTIONS	DECIMALS	ANGLES	APPROVALS	DATE
+	.xx ± .03	+	D.F. ESTABROOK	10/28/05
-	.xxx ± .010	-	REVISD	12/01/05
MATERIAL			CHECKED	
FINISH			APPROVED	
USED ON MODEL#			DO NOT SCALE DRAWING	

 Delta Microwave Inc. 1301 VANGUARD DRIVE OXNARD, CA 93033		
L54144 OULINE		
B	51719	L54144
SCALE 1:1		SHEET 1 OF 1