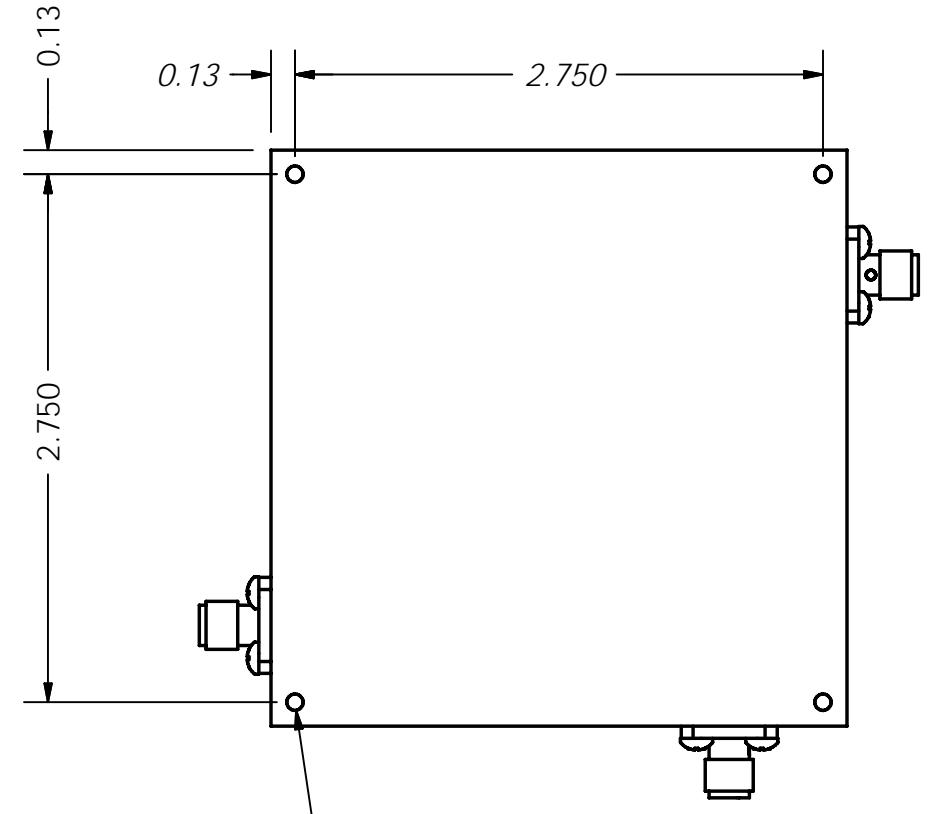
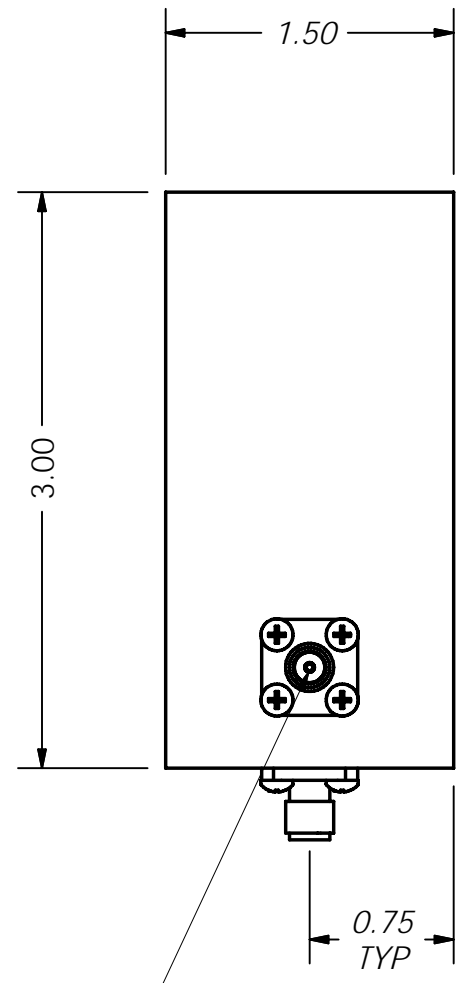
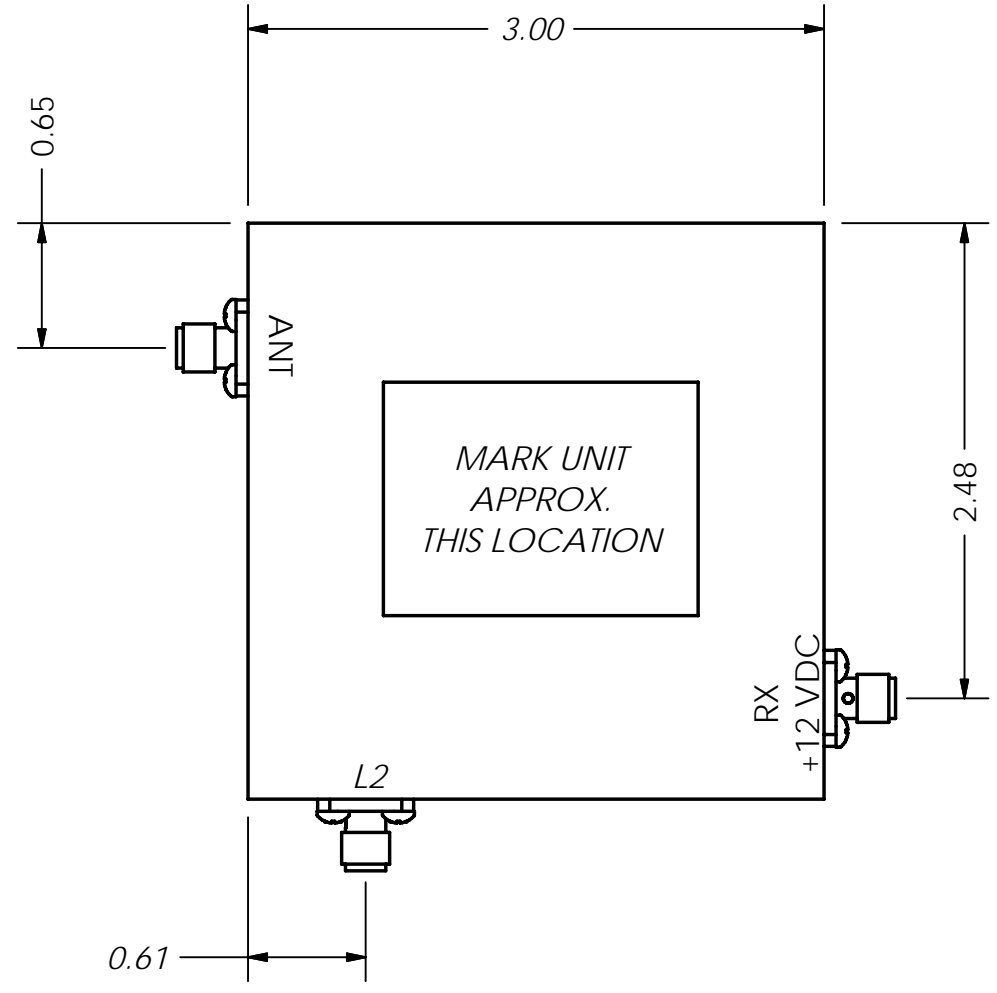


THIS DOCUMENT CONTAINS INFORMATION PROPRIETARY TO DELTA MICROWAVE. ANY REPRODUCTION WITHOUT WRITTEN PERMISSION IS EXPRESSLY PROHIBITED.

ZONE	REV	DESCRIPTION	DATE	APPROVED
	A	RELEASED	09/13/06	



2. MARKING: USING LABEL OR BLACK WORNOW INK TO INCLUDE:  
DELTA MICROWAVE, MODEL NO., SERIAL NO.,  
CODE IDENT. NO. 51719 AND DATE CODE

1: FINISH: HAZE GRAY EPOXY POLYAMIDE TOPCOAT  
PER MIL-DTL-24441C, SUP.1  
MIL-DTL-24441/21, TYP 3, FORMULA 151  
USING GREEN EPOXY POLYAMIDE PRIMER  
MIL-DTL-24441/20, TYP 3, FORMULA 150

NOTES:

UNLESS OTHERWISE SPECIFIED DIMENSIONS ARE IN INCHES TOLERANCES ARE: FRACTIONS    DECIMALS    ANGLES +                .xx ± .03            + -                .xxx ± .010        -	CONTRACT NO.	L54148	
	APPROVALS	DATE	
	DRAWN	D.F. ESTABROOK	09/13/06
	REVIS		
MATERIAL	CHECKED		
FINISH	APPROVED		
USED ON MODEL#	DO NOT SCALE DRAWING		

<b>Delta Microwave Inc.</b> 1301 VANGUARD DRIVE OXNARD, CA 93033		
SIZE	CODE IDENT NO.	DWG NO
<b>B</b>	<b>51719</b>	<b>L54148</b>
SCALE 1:1	SHEET	1 OF 1