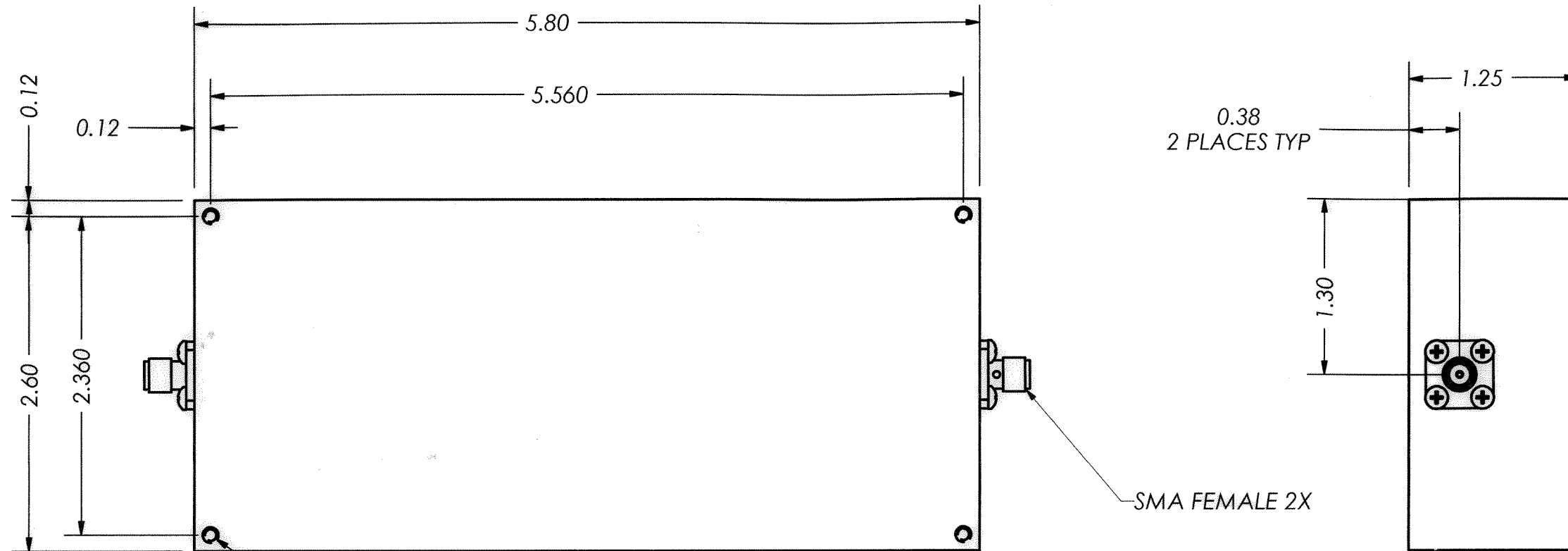


THIS DOCUMENT CONTAINS INFORMATION PROPRIETARY TO DELTA MICROWAVE. ANY REPRODUCTION WITHOUT WRITTEN PERMISSION IS EXPRESSLY PROHIBITED.

ZONE	REV	DESCRIPTION	DATE	APPROVED
	A	RELEASED	03/03/03	<i>g</i>



2. MARKING: USING CLEAR LABEL WITH BLACK CHARACTERS TO INCLUDE DELTA MICROWAVE, MODEL NO., SERIAL NO. CODE IDENT. NO. 51719 AND DATE CODE

1. FINISH: HAZE GRAY EPOXY POLYAMIDE TOPCOAT PER MIL-P-24441B TYP. 1 (AS) COLOR NO. 26270, FORMULA 151 PER MIL-P-24441/1C, QPL 24441-103 USING EPOXY POLYAMID PRIMER PER MIL-P-2441B TYP. 1 24272 GREEN FORMULA 150 PER MIL-P-24441/1C, QPL 24441-103

NOTES:

UNLESS OTHERWISE SPECIFIED DIMENSIONS ARE IN INCHES TOLERANCES ARE: FRACTIONS DECIMALS ANGLES + .xx ± .03 + - .xxx ± .010 -	CONTRACT NO.	L5540		DELTA MICROWAVE 1301 VANGUARD DRIVE OXNARD, CA 93033
	APPROVALS	DATE	TITLE	
MATERIAL	DRAWN	M.D. JUE	03/03/03	L5540 OUTLINE
FINISH	CHECKED	<i>[Signature]</i>	3/4/03	
USED ON MODEL#	APPROVED	<i>[Signature]</i>	3/1/03	SIZE
DO NOT SCALE DRAWING				CODE IDENT NO.
				DWG NO.
				SCALE
				SHEET
				OF
				1