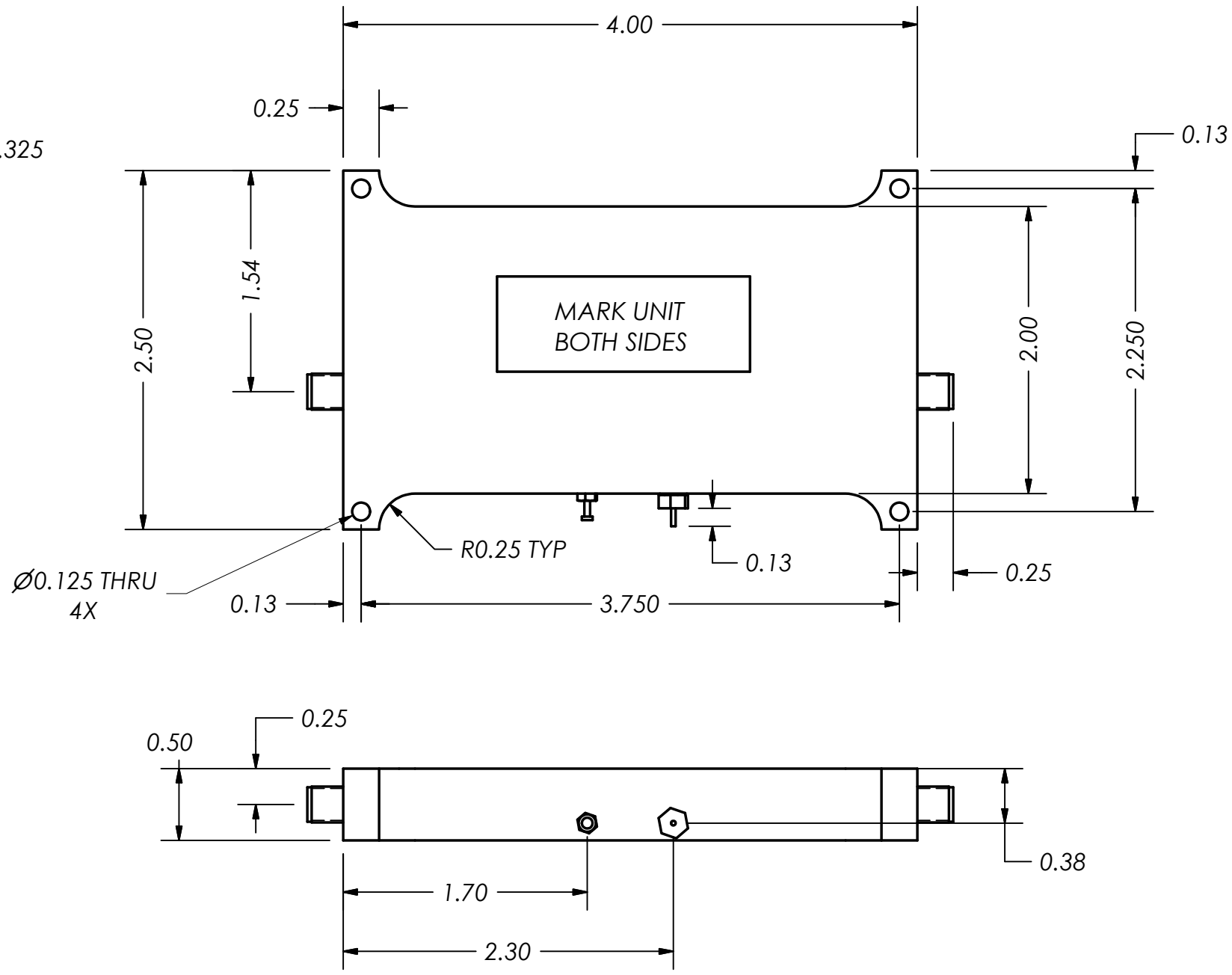


THIS DOCUMENT CONTAINS INFORMATION PROPRIETARY TO DELTA MICROWAVE. ANY REPRODUCTION WITHOUT WRITTEN PERMISSION IS EXPRESSLY PROHIBITED.

CUST. APPROVAL	ZONE	REV	DESCRIPTION	DATE	APPROVED
		A	RELEASED	09/26/95	R.E.S.
		B	ECO# 107641	08/20/08	D.R.B.
		C	ECO# 107935	08/19/09	




2. MARKING: USING LABEL OR BLACK WORNOW INK TO INCLUDE:  
DELTA MICROWAVE, MODEL NO., SERIAL NO.,  
CODE IDENT. NO. 51719 AND DATE CODE

1: FINISH: HAZE GRAY EPOXY POLYAMIDE TOPCOAT  
PER MIL-DTL-24441C, SUP.1  
MIL-DTL-24441/21, TYP 3, FORMULA 151  
USING GREEN EPOXY POLYAMIDE PRIMER  
MIL-DTL-24441/20, TYP 3, FORMULA 150

NOTES:

UNLESS OTHERWISE SPECIFIED DIMENSIONS ARE IN INCHES TOLERANCES ARE: FRACTIONS    DECIMALS    ANGLES +                .xx ± .03                + -                .xxx ± .010              -			CONTRACT NO. L5625	
APPROVALS			DATE	
DRAWN D.F.ESTABROOK			09/26/95	
REVISD S.BROWN			08/19/09	
CHECKED				
APPROVED				
MATERIAL				
FINISH				
USED ON MODEL#			DO NOT SCALE DRAWING	

 <b>Delta Microwave Inc.</b> 300 Del Norte Boulevard Oxnard CA. 93030		
TITLE <b>OUTLINE</b>		
SIZE <b>B</b>	CODE IDENT NO. <b>51719</b>	DWG NO. <b>L5625</b>
SCALE 1 : 1		SHEET 1 OF 1

4

3

2

1

4

3

2

1