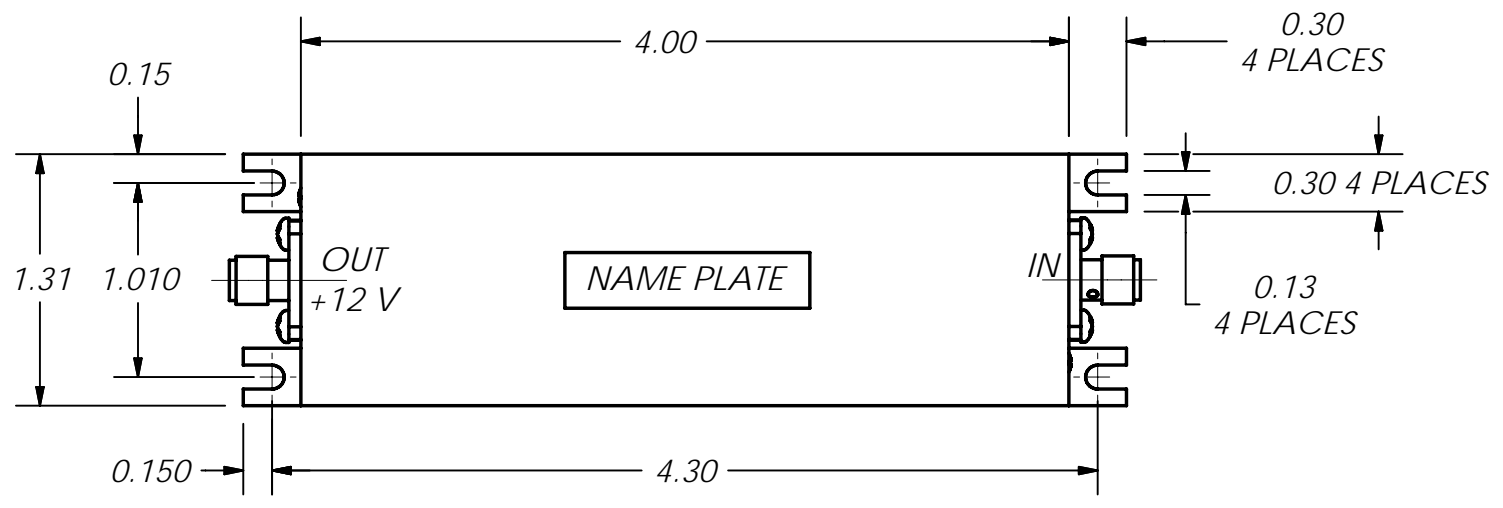
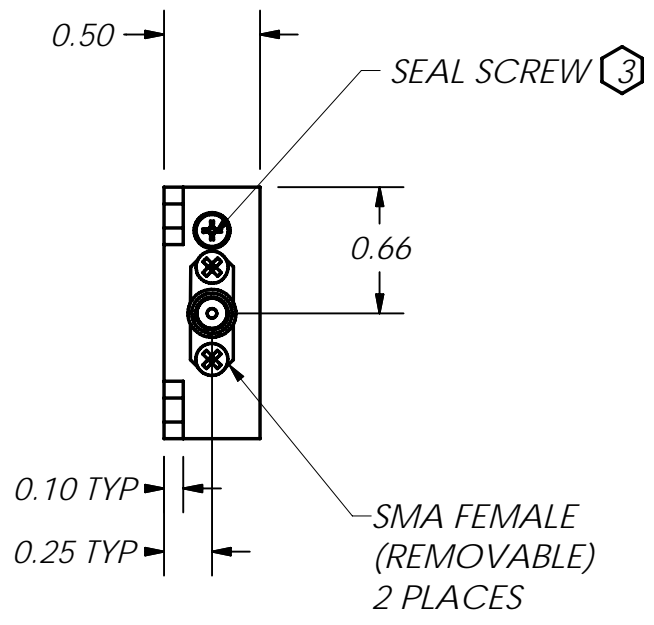


THIS DOCUMENT CONTAINS INFORMATION PROPRIETARY TO DELTA MICROWAVE. ANY REPRODUCTION WITHOUT WRITTEN PERMISSION IS EXPRESSLY PROHIBITED.

ZONE	REV	DESCRIPTION	DATE	APPROVED
	A	RELEASED	08/17/93	R.E.S.
	B	ECO#104050	09/27/95	R.E.S.
	C	REDRAWN FINISH CHANGE	10/13/99	R.E.S.
	D	ECO#106193	06/05/03	D.R.B.
	E	ECO#106753	08/04/05	D.R.B.
	F	ECO#106929	03/23/06	




³ SEALING SCREW USED FOR OUTGASSING PURPOSES ONLY, LOCATION DOES NOT AFFECT FORM, FIT, OR FUNCTION.

2. MARKING: USING BLACK WARMOW INK TO INCLUDE:
DELTA MICROWAVE, MODEL NO., SERIAL NO.,
CODE IDENT. NO. 51719 AND DATE CODE
AND ANY SPECIAL MARKINGS PER PURCHASE ORDER

1: FINISH: HAZE GRAY EPOXY POLYAMIDE TOPCOAT
PER MIL-DTL-24441/21A, TYP 3, FORMULA 151
USING GREEN EPOXY POLYAMIDE PRIMER
MIL-DTL-24441/20A, TYP 3, FORMULA 150

NOTES:

UNLESS OTHERWISE SPECIFIED DIMENSIONS ARE IN INCHES TOLERANCES ARE: FRACTIONS DECIMALS ANGLES + .xx ± .03 + - .xxx ± .010 -		CONTRACT NO. L5627		 Delta Microwave Inc. 1301 VANGUARD DRIVE OXNARD, CA 93033	
APPROVALS		DATE		TITLE	
DRAWN D.F. ESTABROOK		12/13/99		DUAL FILTER, AMPLIFIER	
MATERIAL		REVISED		SIZE	
FINISH		CHECKED		B	
USED ON MODEL#		APPROVED		CODE IDENT NO. 51719	
DO NOT SCALE DRAWING		SCALE 1:1		DWG NO. L5627	
		SHEET 1 OF 1			