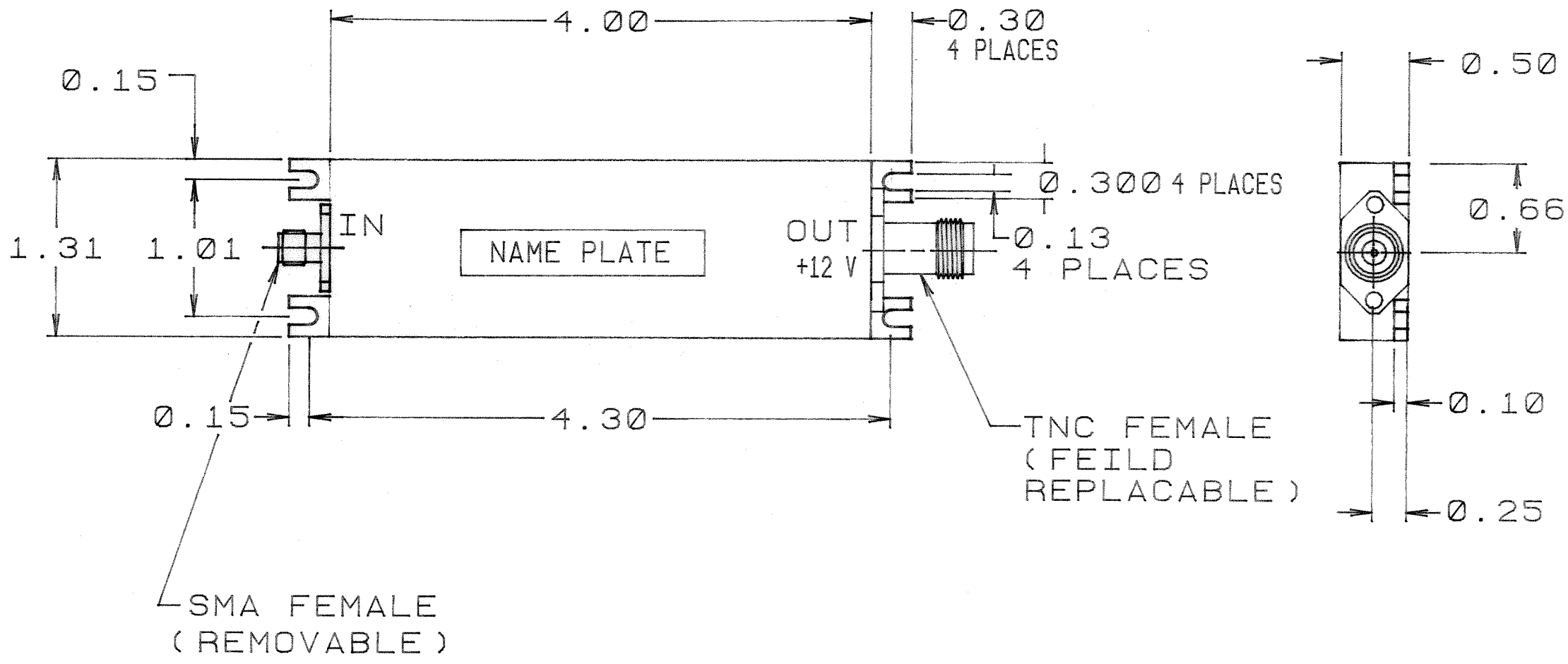


THIS DOCUMENT CONTAINS INFORMATION PROPRIETARY TO DELTA MICROWAVE. ANY REPRODUCTION OF THIS DOCUMENT WITHOUT WRITTEN PERMISSION IS EXPRESSLY PROHIBITED.

REVISIONS				
ZONE	LTR	DESCRIPTION	DATE	APPROVED
	A	RELEASED	8/17/93	



ELECTRICAL SPECIFICATIONS

- CH.1 1575.4 ±10 Mhz
- CH.2 1227.6 ±10 Mhz
- GAIN: 25 ±3dB
- VSWR: 1.5:1 Fo ±10 Mhz
- REJECTION: 80 dB BANDWITH 200 Mhz MAX
- NOISE FIGURE: 4.0 dB MAX
- OPERATING TEMPERATURE: -54° to +85° C
- POWER: 9-12V @ 60mA

2. MARKING: DELTA MICROWAVE, MODEL NO., SERIAL NO.,
CODE IDENT. NO. 51719 AND DATE CODE.

1. FINISH: GREY POLYURETHANE COATING PER MIL-C-81773
(AS) COLOR NO. 16440, PER FED-STD-595
USING EPOXY PRIMER PER MIL-P-23377C

NOTES:

QTY REQD	CODE IDENT	PART OR IDENTIFYING NO.	NOMENCLATURE OR DESCRIPTION	MATERIAL SPECIFICATION
PARTS LIST				
UNLESS OTHERWISE SPECIFIED DIMENSIONS ARE IN INCHES TOLERANCES ARE: FRACTIONS DECIMALS ANGLES ± .XX .02 ± .XXX ±0.10		CONTRACT NO. L5629	DELTA MICROWAVE 840 VIA ALONDRA CAMARILLO, CALIFORNIA 93010	
MATERIAL		APPROVALS	DATE	DUAL FILTER, AMPLIFIER
FINISH 1		DRAWN		
DO NOT SCALE DRAWING		CHECKED		
SIZE	CODE IDENT NO.	DRAWING NO.		
B	51719	L5629-TNC		
SCALE 1 : 1			SHEET 1 OF 1	