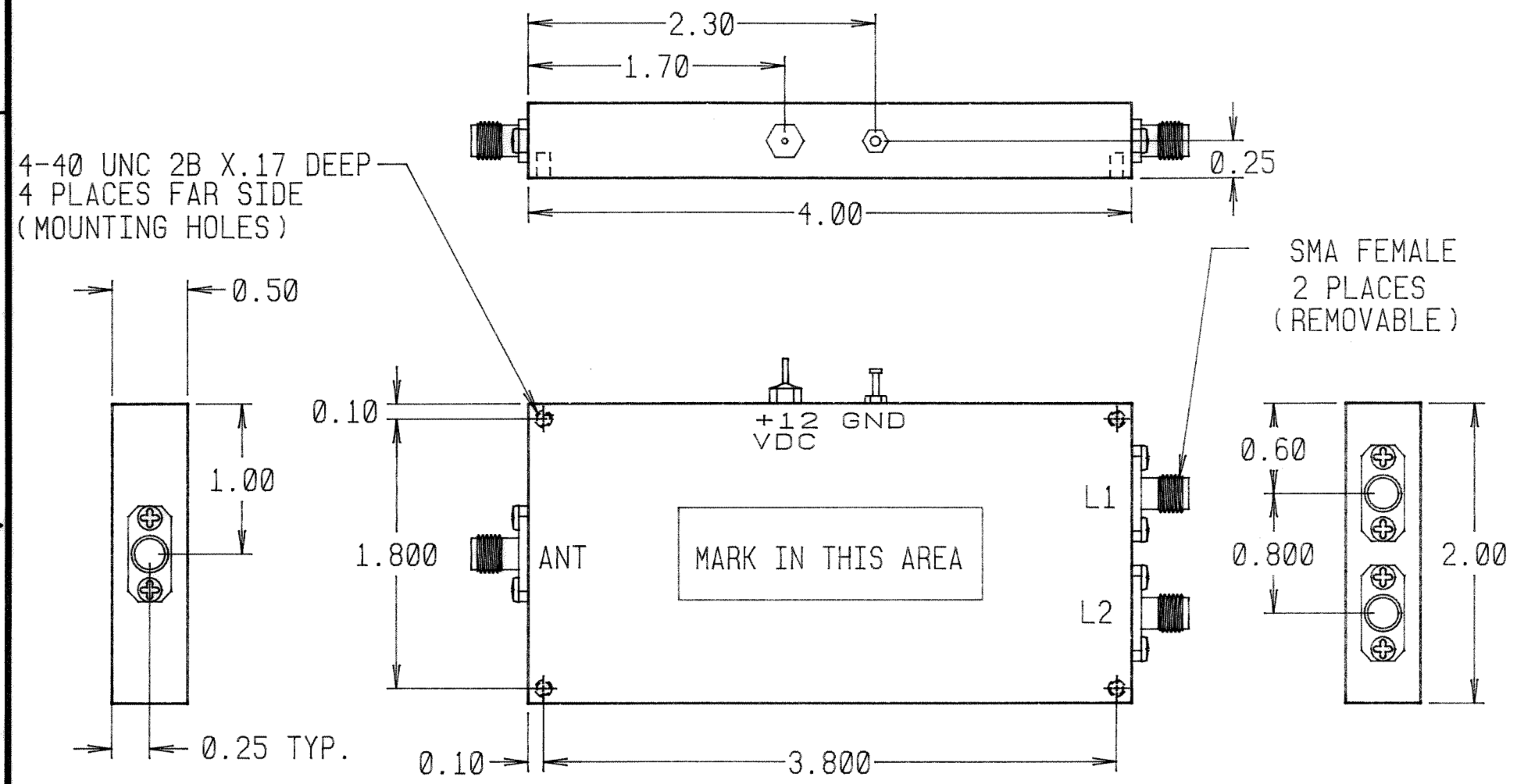


THIS DOCUMENT CONTAINS INFORMATION PROPRIETARY TO DELTA MICROWAVE. ANY REPRODUCTION OF THIS DOCUMENT WITHOUT WRITTEN PERMISSION IS EXPRESSLY PROHIBITED.

| REVISIONS | | | | |
|-----------|-----|-------------|---------|----------|
| ZONE | LTR | DESCRIPTION | DATE | APPROVED |
| | A | RELEASED | 12/6/95 | RES |
| | B | ECO#104146 | 4/4/96 | RES. |
| | C | ECO#104170 | 6/13/96 | |



SPECIFICATIONS

CENTER FREQUENCY: L1 1575.4 MHz
L2 1227.6 MHz

CENTER FREQUENCY GAIN: 33 +/- 3 dB

BAND CENTER
SELECTIVITY: 1 dB 2 SIDED BANDWIDTH: 25 MHz MIN
80 dB 2 SIDED BANDWIDTH: 200 MHz MAX

NOISE FIGURE: 3.0 dB MAX

REJECTION: 100MHz to 10GHz: 80 dB MIN
10GHz to 12GHz: 65 dB MIN

VSWR: 1.5:1 OVER 1 dB BANDWIDTH

OPERATING TEMP.: 0 TO 85° C

L1-L2 ISOLATION: 60 dB

2. MARKING: USING BLACK WORNOW INK, TO INCLUDE:
DELTA MICROWAVE, MODEL NO., SERIAL NO.,
CODE IDENT.NO.51719 AND DATE CODE.

1. FINISH: HAZE GREY EPOXY POLYAMIDE TOPCOAT
PER MIL-P-24441B TYP 1
(AS) COLOR NO.26270, FORMULA 151
PER MIL-P-24441/1C, QPL 24441-103
USING EPOXY POLYAMID PRIMER
PER MIL-P-24441B TYPE 1 24272 GREEN
FORMULA 150 PER MIL-P-24441/1C, QPL 24441-103

NOTES:

| QTY REQD | CODE IDENT | PART OR IDENTIFYING NO. | NOMENCLATURE OR DESCRIPTION | MATERIAL SPECIFICATION |
|--|------------|-------------------------|---|------------------------|
| PARTS LIST | | | | |
| UNLESS OTHERWISE SPECIFIED DIMENSIONS ARE IN INCHES TOLERANCES ARE: FRACTIONS DECIMALS ANGLES ± .XX ± .01 ± .XXX ± .005 | | CONTRACT NO. L5648 | DELTA MICROWAVE 840 VIA ALONDRA CAMARILLO, CALIFORNIA 93010 | |
| APPROVALS | | DATE | OUTLINE DRAWING | |
| DRAWN D.F. ESTABROOK | | 12/6/95 | | |
| CHECKED | | | | |
| MATERIAL | | | SIZE | CODE IDENT NO. |
| FINISH | | | B | 51719 |
| DO NOT SCALE DRAWING | | | DRAWING NO. | L5648 |
| | | | SCALE 1 : 1 | SHEET 1 OF 1 |