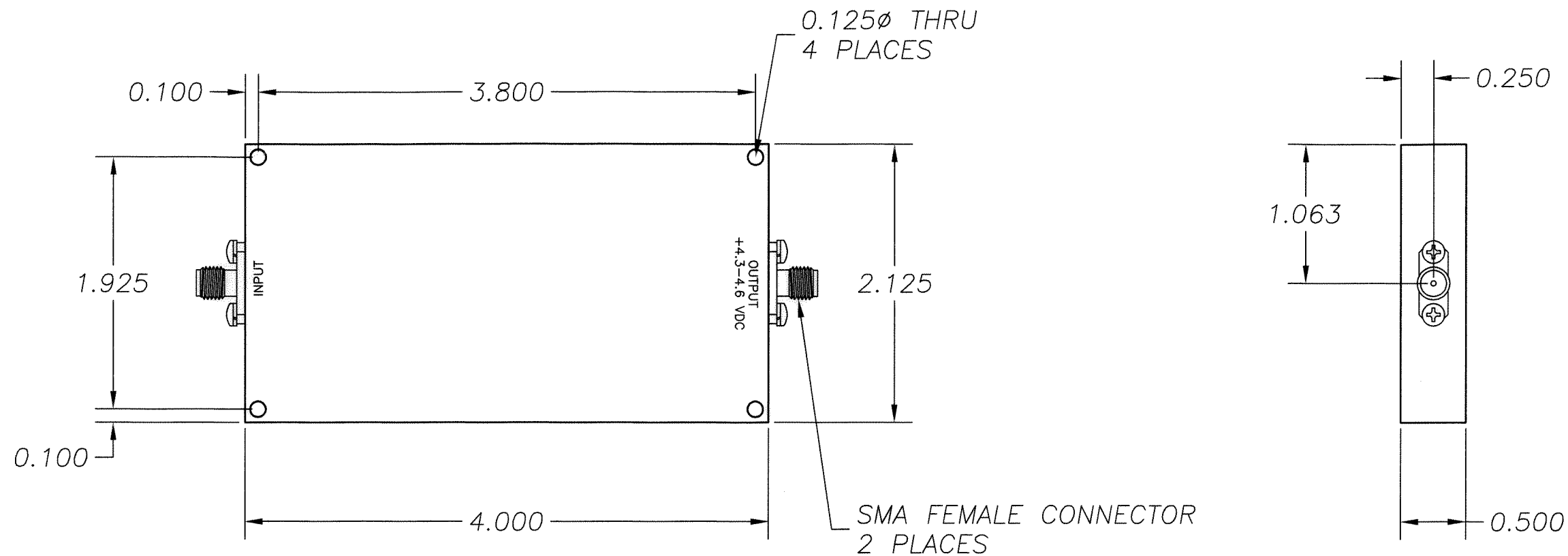


THIS DOCUMENT CONTAINS INFORMATION PROPRIETARY TO DELTA MICROWAVE. ANY REPRODUCTION OF THIS DOCUMENT WITHOUT WRIT- TEN PERMISSION IS EXPRESSLY PROHIBITED.

REVISIONS				
ZONE	REV	DESCRIPTION	DATE	APPROVED
	A	RELEASED	07/06/99	



2. MARKING: USING BLACK WARNOW INK TO INCLUDE: DELTA MICROWAVE, MODEL NO., SERIAL NO., CODE IDENT. NO. 51719 AND DATE CODE

1: FINISH: HAZE GRAY EPOXY POLYAMIDE TOPCOAT PER MIL-P-24441B TYP.1 (AS)COLOR NO.26270, FORMULA 151 PER MIL-P-24441/1C, QPL 24441-103 USING EPOXY POLYAMIDE PRIMER PER MIL-P-24441B TYP.1 24272 GREEN FORMULA 150 PER MIL-P-24441/1C, QPL 24441-103

NOTES:

QTY REQD	CODE IDENT	PART OR IDENTIFYING NO.	NOMENCLATURE OR DESCRIPTION	MATERIAL SPECIFICATION
PARTS LIST				
UNLESS OTHERWISE SPECIFIED DIMENSIONS ARE IN INCHES TOLERANCES ARE:		CONTRACT NO. L5676	DELTA MICROWAVE 1301 VANGUARD DR. OXNARD CALIFORNIA 93033	
FRACTIONS	DECIMALS	ANGLES	APPROVALS	DATE
+	.XX ±.01	+	DRAWN D.F. ESTABROOK	07/06/99
-	.XXX ±.005	-	CHECKED	7/6/99
MATERIAL		APPROVED	TITLE OUTLINE	
FINISH			SIZE B	CODE IDENT NO. 51719
L5676			DRAWING NO. L5676	
USED ON MODEL#		DO NOT SCALE DRAWING	SCALE FULL	SHEET 1 OF 1