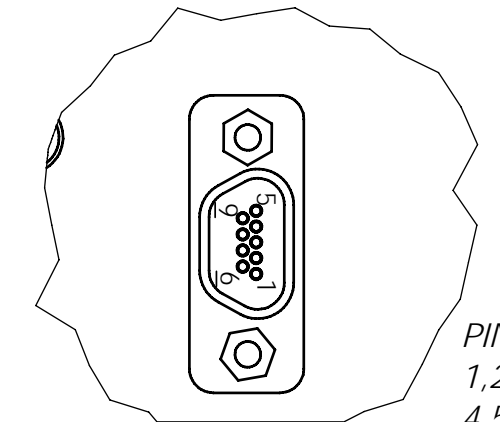
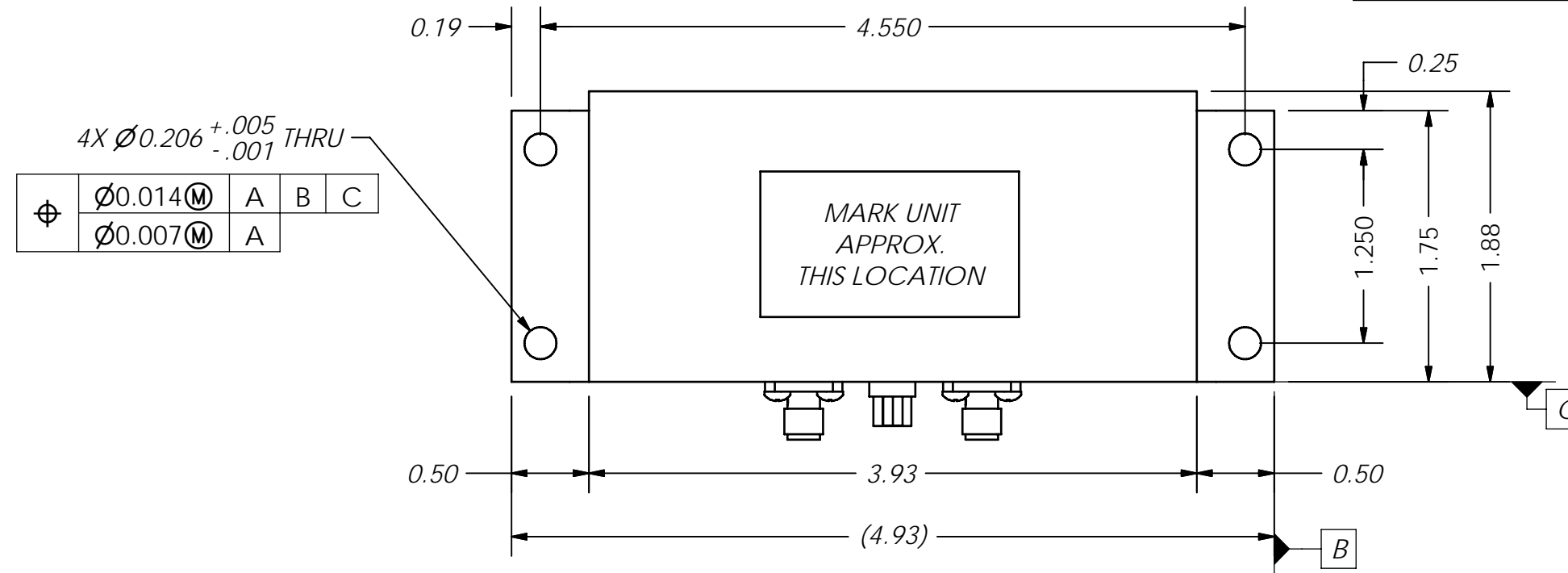
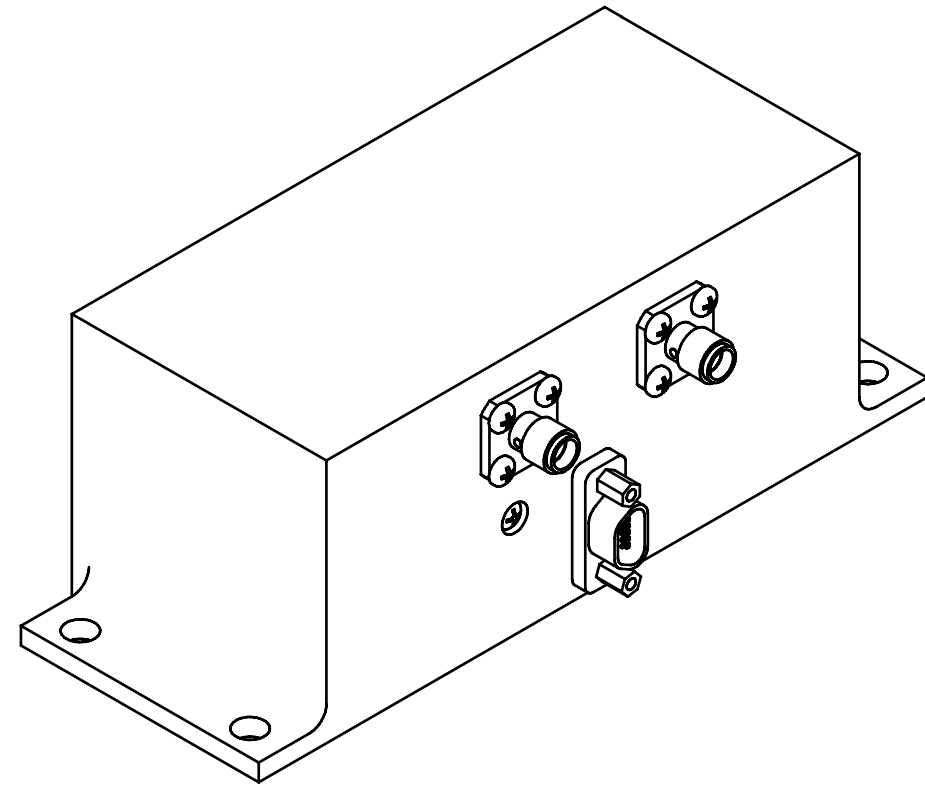


THIS DOCUMENT CONTAINS INFORMATION PROPRIETARY TO DELTA MICROWAVE. ANY REPRODUCTION OF THIS DOCUMENT WITHOUT WRITTEN PERMISSION IS EXPRESSLY PROHIBITED

EXPORT CONTROLLED

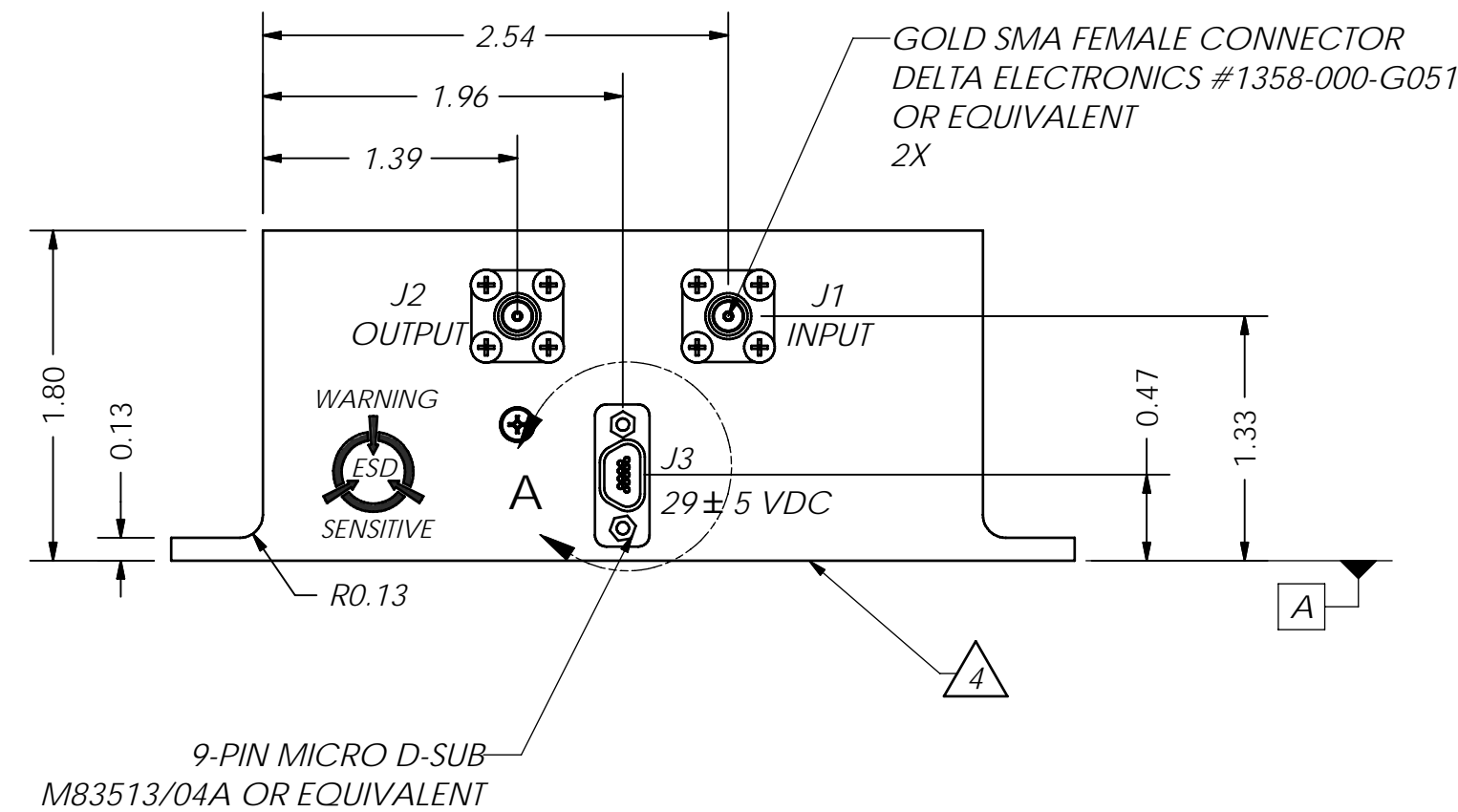
WARNING: THIS DOCUMENT MAY CONTAIN DATA WITHIN THE DEFINITION OF THE INTERNATIONAL TRAFFIC IN ARMS REGULATION (ITAR) OR THE EXPORT ADMINISTRATION REGULATION (EAR) OF 1979 AND IS SUBJECT TO THE EXPORT CONTROL LAWS OF THE U.S. GOVERNMENT. TRANSFER OF THIS DATA BY ANY MEANS TO A FOREIGN PERSON, WHETHER IN THE UNITED STATES OR ABROAD, WITHOUT AN EXPORT LICENSE OR OTHER APPROVAL FROM THE U.S. DEPARTMENT OF STATE, IS STRICTLY PROHIBITED.
A VIOLATION OF THE ITAR OR EAR MAY BE SUBJECT TO A PENALTY AND FINE UNDER 22 U.S.C. 2278 OR SECTION 2410 OF THE EXPORT ADMINISTRATION ACT OF 1979

ZONE	REV	DESCRIPTION	DATE	APPROVED
	A	RELEASED	09/13/06	D.R.B.
	B	ECO#107073	10/03/06	D.R.B.
	C	ECO#107076	10/25/06	D.R.B.
	D	ECO#107162	03/19/07	D.R.B.
	E	ECO#107171	03/27/07	D.R.B.
	F	ECO#107192	04/19/07	D.R.B.
	G	ECO#107326	08/08/07	D.R.B.
	H	ECO#107378	10/03/07	D.R.B.
	J	ECO#107424	11/15/07	



PIN CHART
 1,2,6, PWR
 4,5,9, RTN
 3,7,8, N/C

DETAIL A
 SCALE 2 : 1



LOCKHEED MARTIN PART NO.	PEDIGREE	FINISH
942PVJ11525-501	FLIGHT AND QUAL	SEE NOTE 1
942PVJ11525-502	ISDL	ORANGE
942PVJ11525-503	ISDL	ORANGE

4 MOUNTING SURFACE SHALL REMAIN FREE OF PAINT

3. MARKING: WHITE WORNOW INK TO INCLUDE:
 COMPONENT NAME: LOW NOISE AMP.
 MFG. ID: 51719
 SERIAL NO.:
 SUPPLIER PART NO.: L5699
 LOCKHEED PART NO.: 942PVJ11525-XXX
 SERVICE LIFE: 10 YEARS
 DATE OF MANUFACTURE:
 UNIT STATUS:

2: DASH PORTION (-XXX) OF PART NUMBER AND UNIT STATUS SHALL BE ASSIGNED ACCORDING TO HARDWARE PEDIGREE TABLE

1: FINISH: TWO PART AERO GLAZE
 9924 WASH PRIMER
 CHEMGLAZE Z306
 FLAT BLACK POLYURETHANE

NOTES:

UNLESS OTHERWISE SPECIFIED DIMENSIONS ARE IN INCHES TOLERANCES ARE: FRACTIONS DECIMALS ANGLES + .xx ± .03 .xxx ± .010		CONTRACT NO. L5699			Delta Microwave Inc. 1301 VANGUARD DRIVE OXNARD, CA 93033	
APPROVALS		DATE			TITLE	
DRAWN D.F. ESTABROOK		12/21/05		L5699 OUTLINE		
REVISOR J.A. DE HORTA		08/08/07		SIZE C		
CHECKED		APPROVED		CODE IDENT NO. 51719		
FINISH SEE PEDIGREE TABLE		CAD SYSTEM		DWG NO. L5699		
USED ON MODEL#		DO NOT SCALE DRAWING		SCALE 1:1 SHEET 1 OF 1		