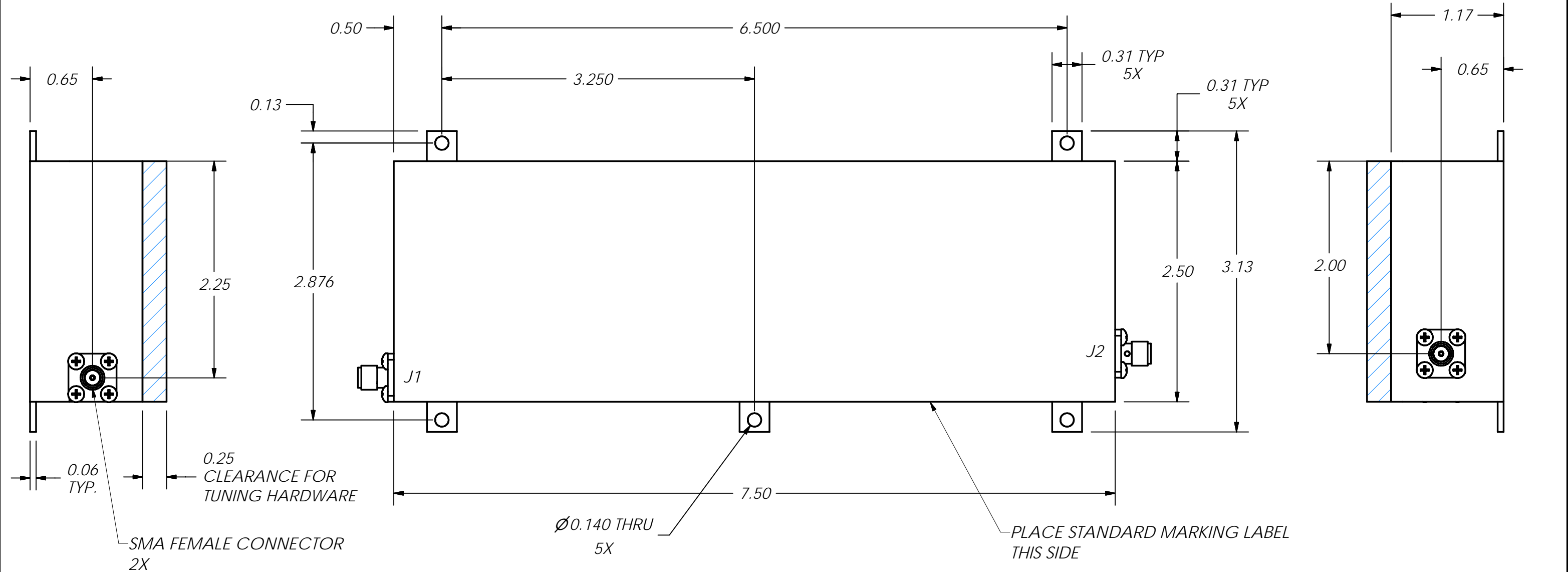


THIS DOCUMENT CONTAINS INFORMATION PROPRIETARY TO DELTA MICROWAVE. ANY REPRODUCTION WITHOUT WRITTEN PERMISSION IS EXPRESSLY PROHIBITED.

ZONE	REV	DESCRIPTION	DATE	APPROVED
	A	RELEASED TO PRODUCTION	04/22/08	D.R.B.
	B	ECO#107530	04/25/08	




2. MARKING: USING LABEL OR BLACK WORNOW INK TO INCLUDE:
DELTA MICROWAVE, MODEL NO., SERIAL NO.,
CODE IDENT. NO. 51719 AND DATE CODE

1: FINISH: HAZE GRAY EPOXY POLYAMIDE TOPCOAT
PER MIL-DTL-24441C, SUP.1
MIL-DTL-24441/21, TYP 3, FORMULA 151
USING GREEN EPOXY POLYAMIDE PRIMER
MIL-DTL-24441/20, TYP 3, FORMULA 150

NOTES:

UNLESS OTHERWISE SPECIFIED DIMENSIONS ARE IN INCHES TOLERANCES ARE:			CONTRACT NO. L5748	
FRACTIONS	DECIMALS	ANGLES	APPROVALS	DATE
+	.xx ± .03	+	DRAWN	04/22/08
-	.xxx ± .010	-	D.F. ESTABROOK	
MATERIAL			REVISED	
FINISH			CHECKED	
USED ON MODEL#			APPROVED	
DO NOT SCALE DRAWING				

 Delta Microwave Inc. 1301 VANGUARD DRIVE OXNARD, CA 93033		
TITLE		
L5748 OUTLINE		
SIZE	CODE IDENT NO.	DWG NO
B	51719	L5748
SCALE 1:1	SHEET 1 OF 1	