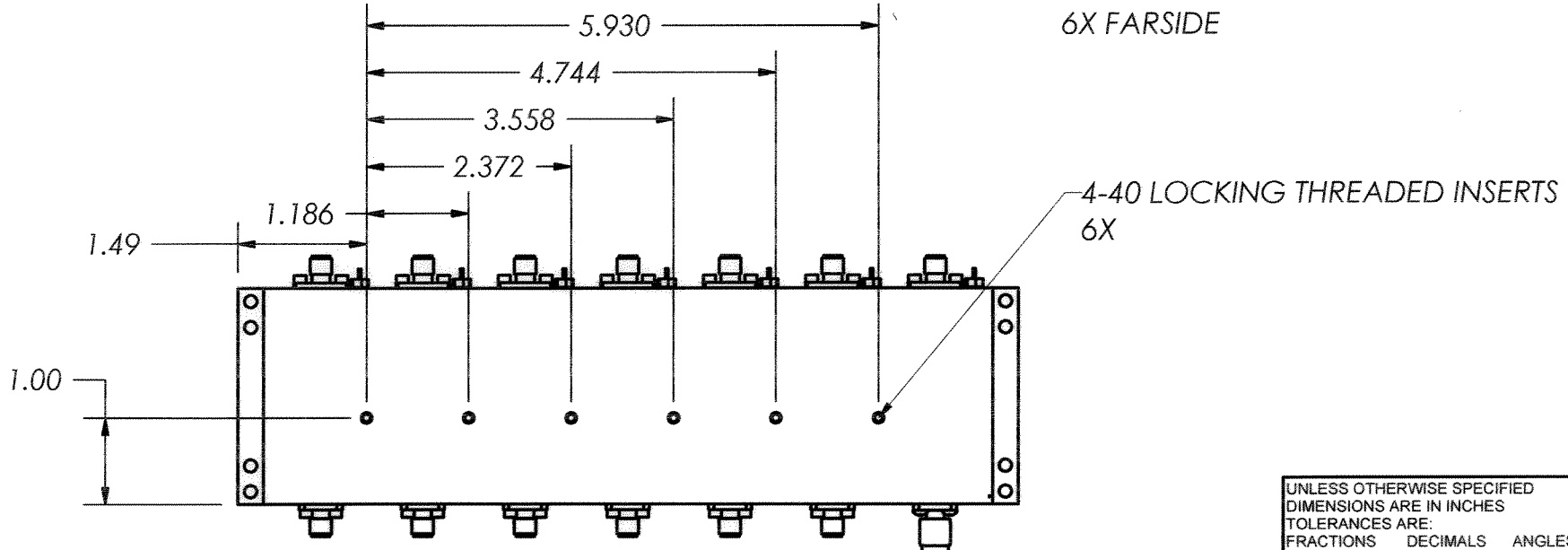
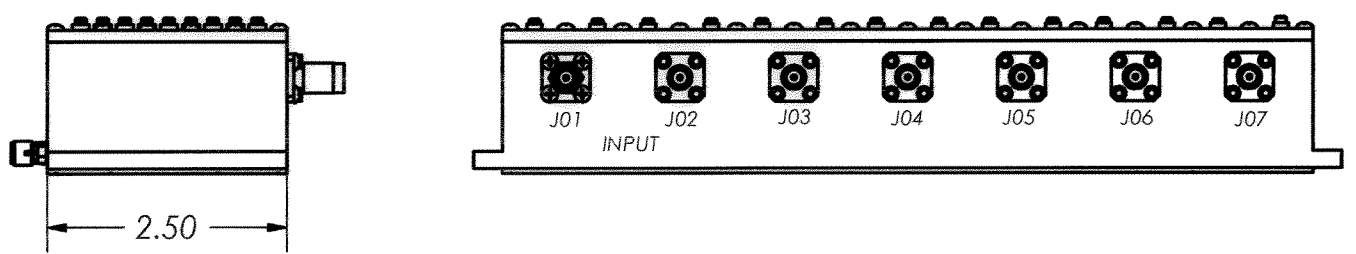
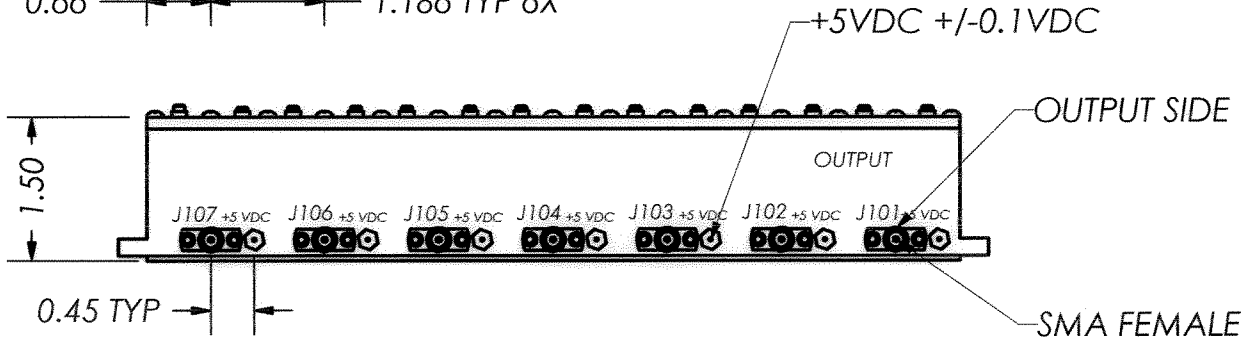
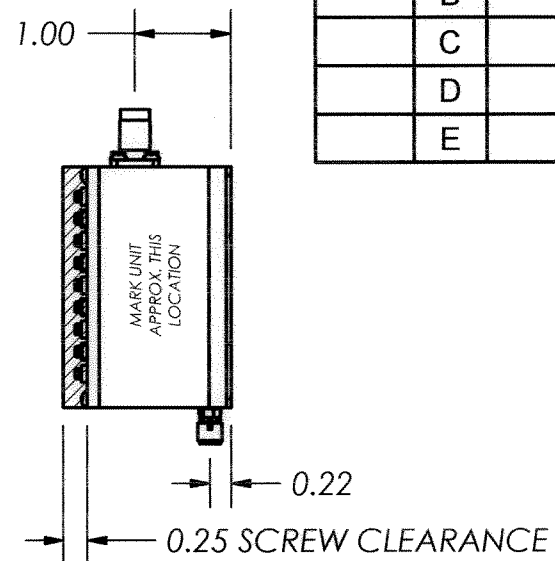
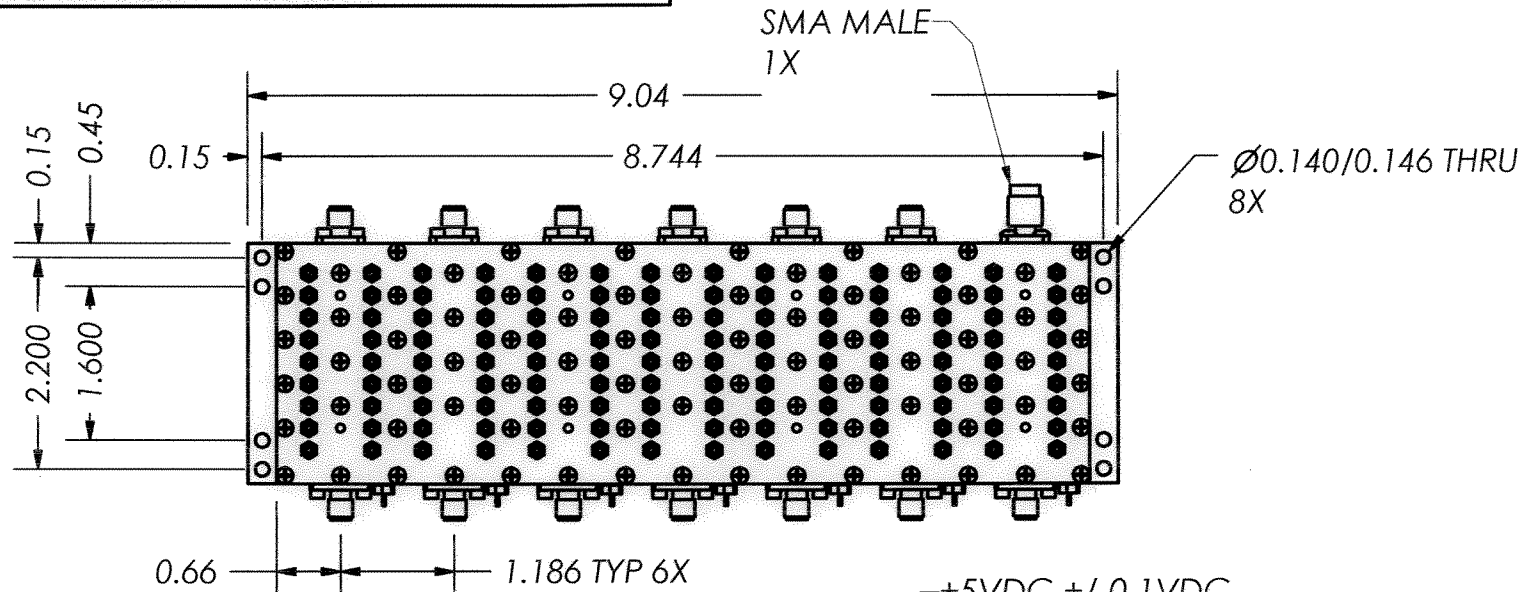


THIS DOCUMENT CONTAINS INFORMATION PROPRIETARY TO DELTA MICROWAVE. ANY REPRODUCTION WITHOUT WRITTEN PERMISSION IS EXPRESSLY PROHIBITED.

ZONE	REV	DESCRIPTION	DATE	APPROVED
	A	INITIAL RELEASE	07/09/04	D.R.B.
	B	ADDED SMA MALE	09/24/04	D.R.B.
	C	ADDED BOTTOM VIEW	09/24/04	D.R.B.
	D	ADDED MARKINGS	12/23/04	D.R.B.
	E	ECO#106653	03/02/05	<i>U</i>



2. MARKING: USING LABEL OR BLACK WARNOW INK TO INCLUDE:
DELTA MICROWAVE, MODEL NO., SERIAL NO.,
CODE IDENT. NO. 51719 AND DATE CODE

1: FINISH: HAZE GRAY EPOXY POLYAMIDE TOPCOAT
PER MIL-DTL-24441C, SUP.1
MIL-DTL-24441/21, TYP 3, FORMULA 151
USING GREEN EPOXY POLYAMIDE PRIMER
MIL-DTL-24441/20, TYP 3, FORMULA 150

NOTES:

UNLESS OTHERWISE SPECIFIED DIMENSIONS ARE IN INCHES TOLERANCES ARE:			CONTRACT NO. L59101	
FRACTIONS	DECIMALS	ANGLES	APPROVALS	DATE
+	.xx ± .03	+	D.R.BOWLER	07/09/04
-	.xxx ± .010	-	D.F.ESTABROOK	11/18/04
MATERIAL			CHECKED	3/2/05
FINISH			APPROVED	
USED ON MODEL#			DO NOT SCALE DRAWING	

Delta Microwave Inc.
1301 VANGUARD DRIVE OXNARD, CA 93033

L59101 OUTLINE

SIZE	CODE IDENT NO.	DWG NO.
B	51719	L59101
SCALE 1/2		SHEET 1 OF 1