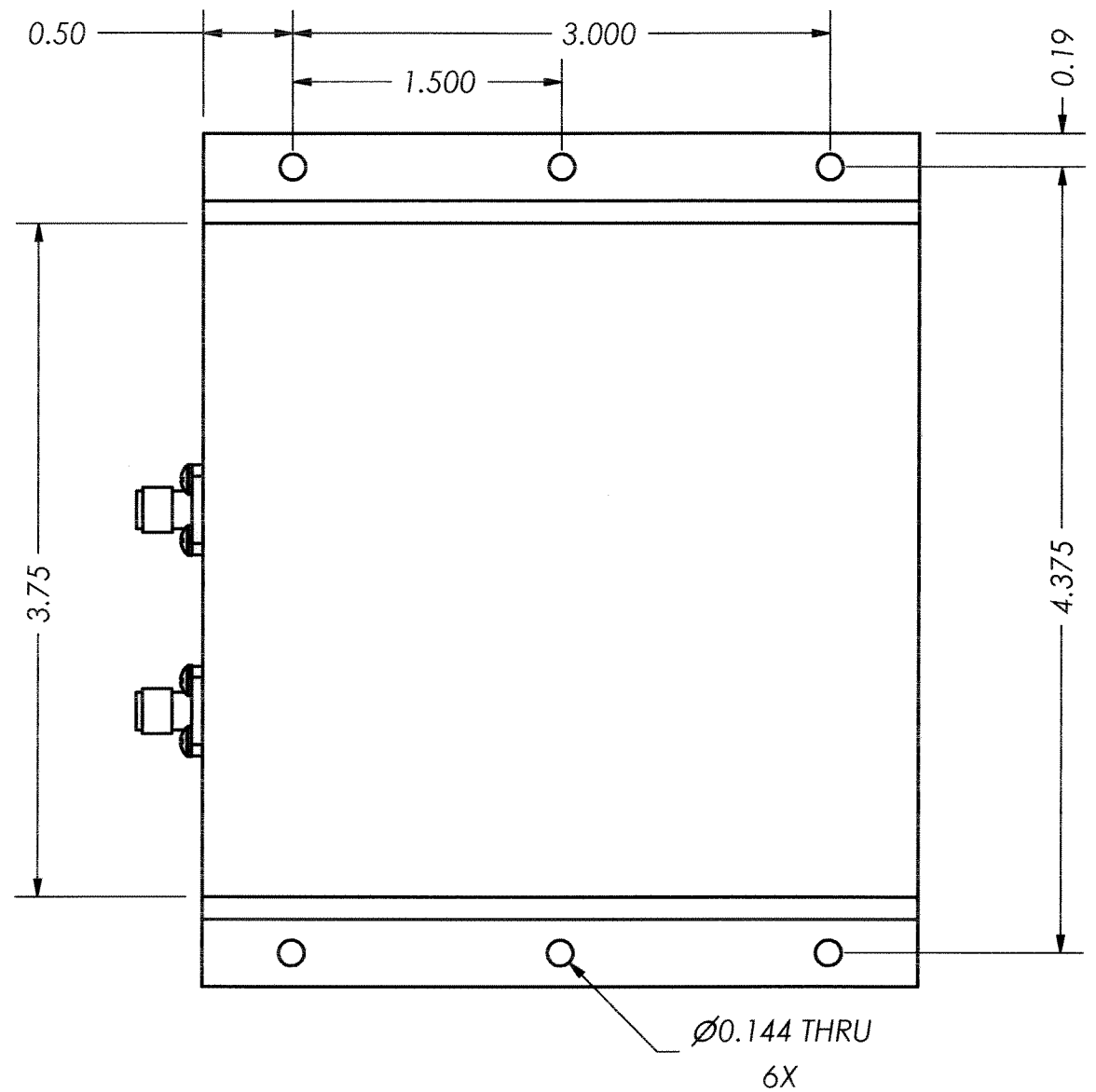
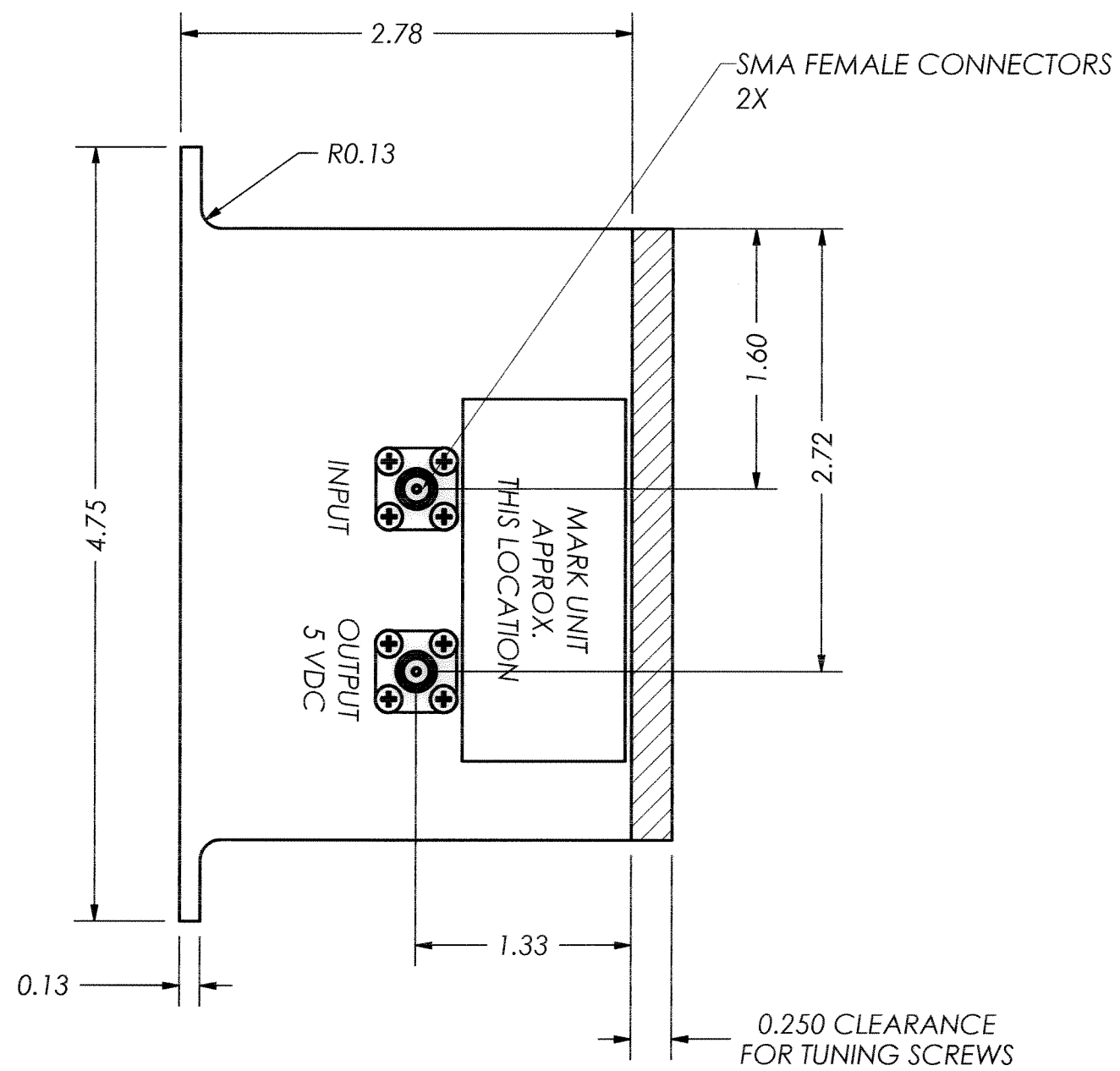


THIS DOCUMENT CONTAINS INFORMATION PROPRIETARY TO DELTA MICROWAVE. ANY REPRODUCTION WITHOUT WRITTEN PERMISSION IS EXPRESSLY PROHIBITED.

ZONE	REV	DESCRIPTION	DATE	APPROVED
	B	FIXED MOUNTING FLANGE	07/20/04	D.R.B.
	C	REMOVED EXTERNAL POWER	08/23/04	D.R.B.
	D	REDESIGNED BACK/BACK	11/04/04	D.R.B.
	E	CORRECTED VOLTAGE CALLOUT	11/08/04	D.R.B.
	F	ADDED MARKING LOCATION	02/24/05	<i>[Signature]</i>



2. MARKING: USING LABEL OR BLACK WARNOW INK TO INCLUDE:
DELTA MICROWAVE, MODEL NO., SERIAL NO.,
CODE IDENT. NO. 51719 AND DATE CODE

1: FINISH: HAZE GRAY EPOXY POLYAMIDE TOPCOAT
PER MIL-DTL-24441C, SUP. 1
MIL-DTL-24441/21, TYP 3, FORMULA 151
USING GREEN EPOXY POLYAMIDE PRIMER
MIL-DTL-24441/20, TYP 3, FORMULA 150

NOTES:

UNLESS OTHERWISE SPECIFIED
DIMENSIONS ARE IN INCHES
TOLERANCES ARE:
FRACTIONS DECIMALS ANGLES
+ .xx ± .03 +
- .xxx ± .010 -

CONTRACT NO. L59102	
APPROVALS	DATE
DRAWN D.R.BOWLER	07/07/04
REVISED D.F.E.STABROOK	02/25/05
CHECKED <i>[Signature]</i>	02/28/05
APPROVED <i>[Signature]</i>	3/1/05

Delta Microwave Inc.
1301 VANGUARD DRIVE OXNARD, CA 93033

L59102 OUTLINE

SIZE B	CODE IDENT NO. 51719	DWG NO. L59102
SCALE 1/2		SHEET 1 OF 1

MATERIAL	
FINISH	
USED ON MODEL#	DO NOT SCALE DRAWING