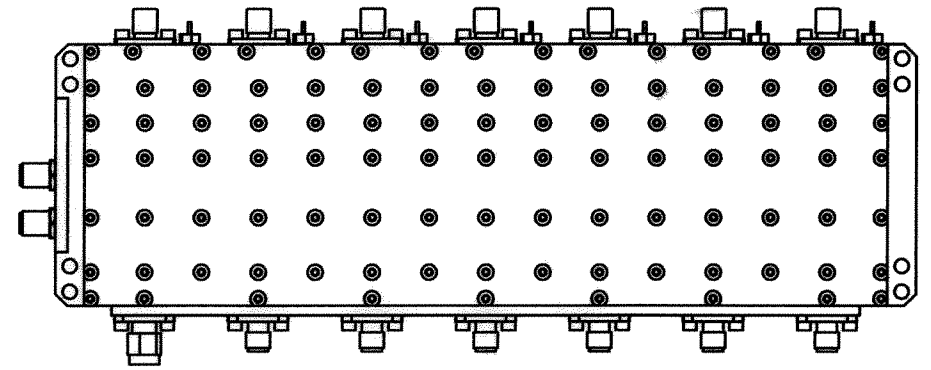
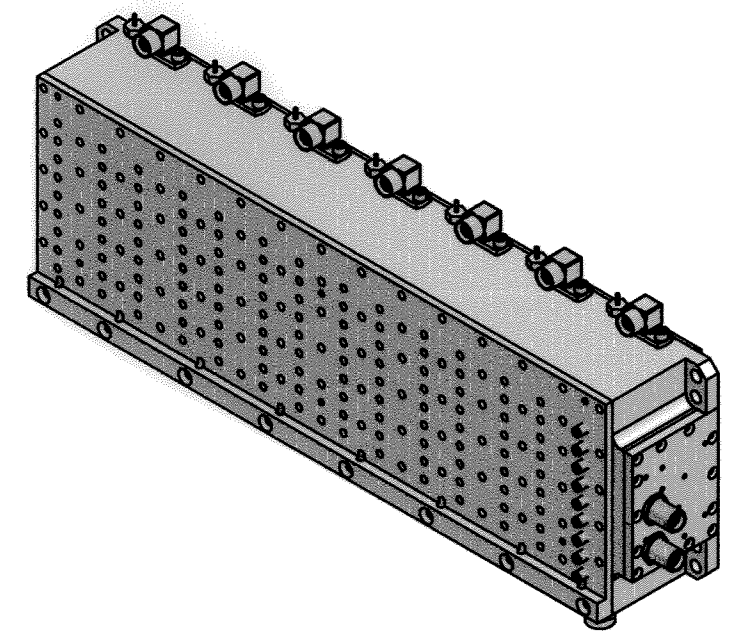
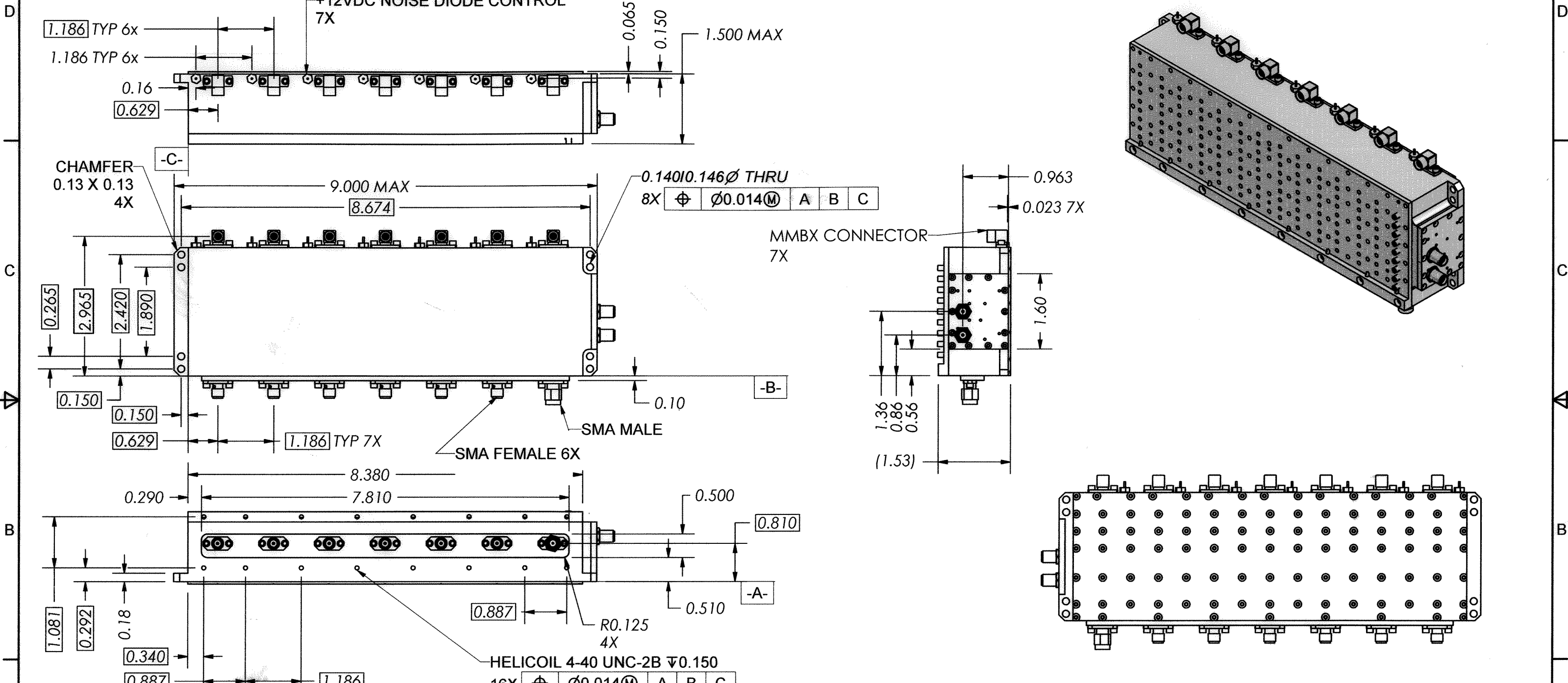


THIS DOCUMENT CONTAINS INFORMATION PROPRIETARY TO DELTA MICROWAVE. ANY REPRODUCTION WITHOUT WRITTEN PERMISSION IS EXPRESSLY PROHIBITED.

ZONE	REV	DESCRIPTION	DATE	APPROVED
	F	CHANG FINISH TO SILVER PLATE	10/08/03	



2. MARKING: USING LABEL OR BLACK WARNOW INK TO INCLUDE:  
DELTA MICROWAVE, MODEL NO., SERIAL NO.,  
CODE IDENT. NO. 51719 AND DATE CODE

1: FINISH: SILVER PLATE PER SCD10011  
NOTES:

UNLESS OTHERWISE SPECIFIED DIMENSIONS ARE IN INCHES TOLERANCES ARE: FRACTIONS DECIMALS ANGLES + .xx ± .03 + - .xxx ± .010 -	CONTRACT NO <b>L5996</b>	
	APPROVALS	DATE
MATERIAL	DRAWN	D.R. Bowler 07/21/03
	REVISED	D.F. ESTABROOK 10/08/03
	CHECKED	
	APPROVED	10/8/03
FINISH	CAD SYSTEM Inventor 5.0	
USED ON MODEL#	DO NOT SCALE DRAWING	

DELTA MICROWAVE 1301 VANGUARD DRIVE OXNARD, CA 93033		DELTA MICROWAVE	
TITLE <b>L5996 OUTLINE</b>		SIZE <b>B</b>	CODE IDENT NO. <b>51719</b>
DWG NO. <b>L5996</b>		SCALE <b>1/2</b>	SHEET <b>1 OF 1</b>