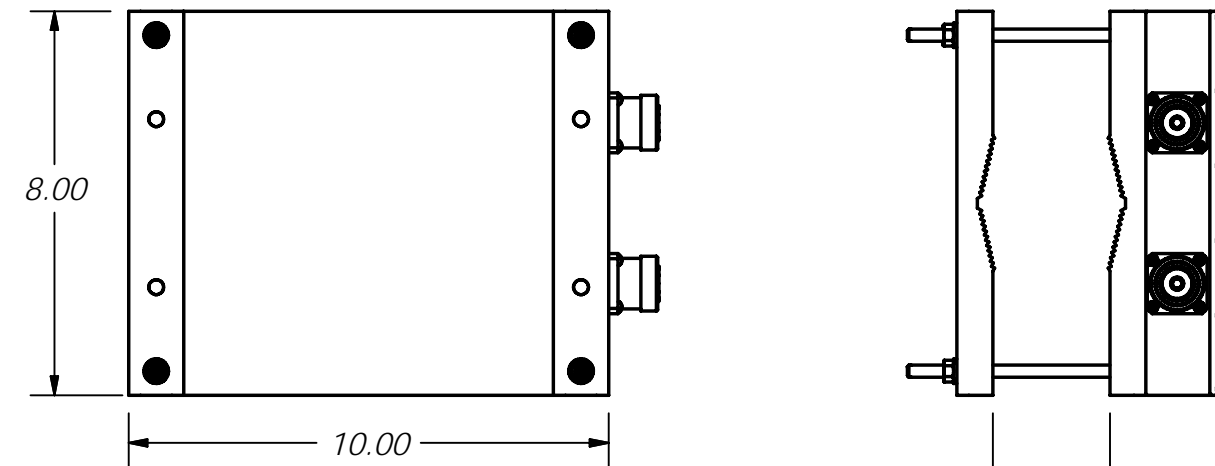
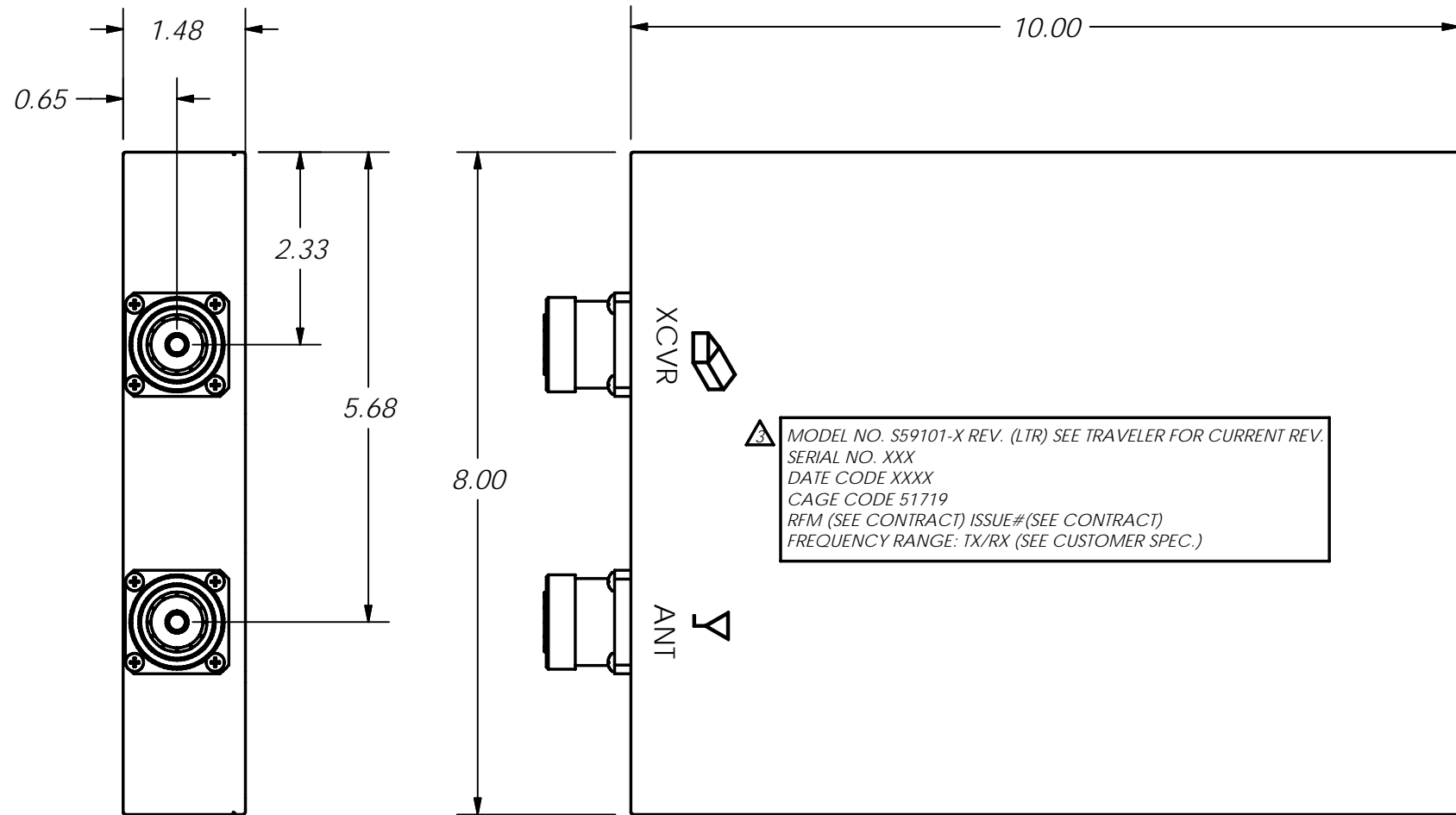
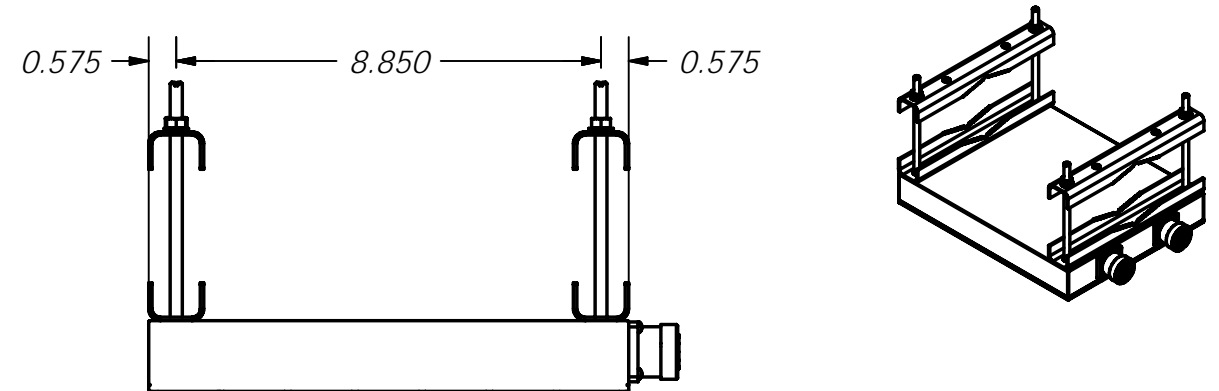


THIS DOCUMENT CONTAINS INFORMATION PROPRIETARY TO DELTA MICROWAVE. ANY REPRODUCTION WITHOUT WRITTEN PERMISSION IS EXPRESSLY PROHIBITED.

ZONE	REV	DESCRIPTION	DATE	APPROVED
	A	RELEASED	04/16/04	D.R.B.
	B	ECO#106466	06/14/04	D.R.B.
	C	ECO#106584	10/26/04	D.R.B.
	D	ECO#106659	03/09/05	D.R.B.
	E	ECO#106801	10/11/05	D.R.B.
	F	ECO#106877	01/17/06	



DISTANCE TO BE DETERMINED BY POLE DIAMETER




3. MODEL NO. S59101-X (EXAMPLE: S59101-1, S59101-2, ETC.)

2. MARKING: USING LABEL OR BLACK WARNOW INK TO INCLUDE:
 DELTA MICROWAVE, MODEL NO., SERIAL NO.,
 CODE IDENT. NO. 51719 AND DATE CODE
 CUSTOMER PART NO. RFM (SEE CONTRACT) ISSUE#(SEE CONTRACT)
 FREQUENCY RANGE: TX/RX (SEE CUSTOMER SPEC.)

1. FINISH: HAZE GRAY EPOXY POLYAMIDE TOPCOAT
 PER MIL-DTL-24441C, SUP. 1
 MIL-DTL-24441/21, TYP 3, FORMULA 151
 USING GREEN EPOXY POLYAMIDE PRIMER
 MIL-DTL-24441/20, TYP 3, FORMULA 150

NOTES:

UNLESS OTHERWISE SPECIFIED DIMENSIONS ARE IN INCHES TOLERANCES ARE: FRACTIONS DECIMALS ANGLES + .xx ± .03 + - .xxx ± .010 -		CONTRACT NO. S59101		 Delta Microwave Inc. 1301 VANGUARD DRIVE OXNARD, CA 93033	
APPROVALS		DATE		TITLE	
DRAWN J.A. DEHORTA		04/16/04		S59101 OUTLINE	
REVISED J.A. DEHORTA		10/27/04		SIZE CODE IDENT NO. DWG NO	
CHECKED				B 51719 S59101	
APPROVED				SCALE 1:2 SHEET 1 OF 1	
USED ON MODEL#		DO NOT SCALE DRAWING			