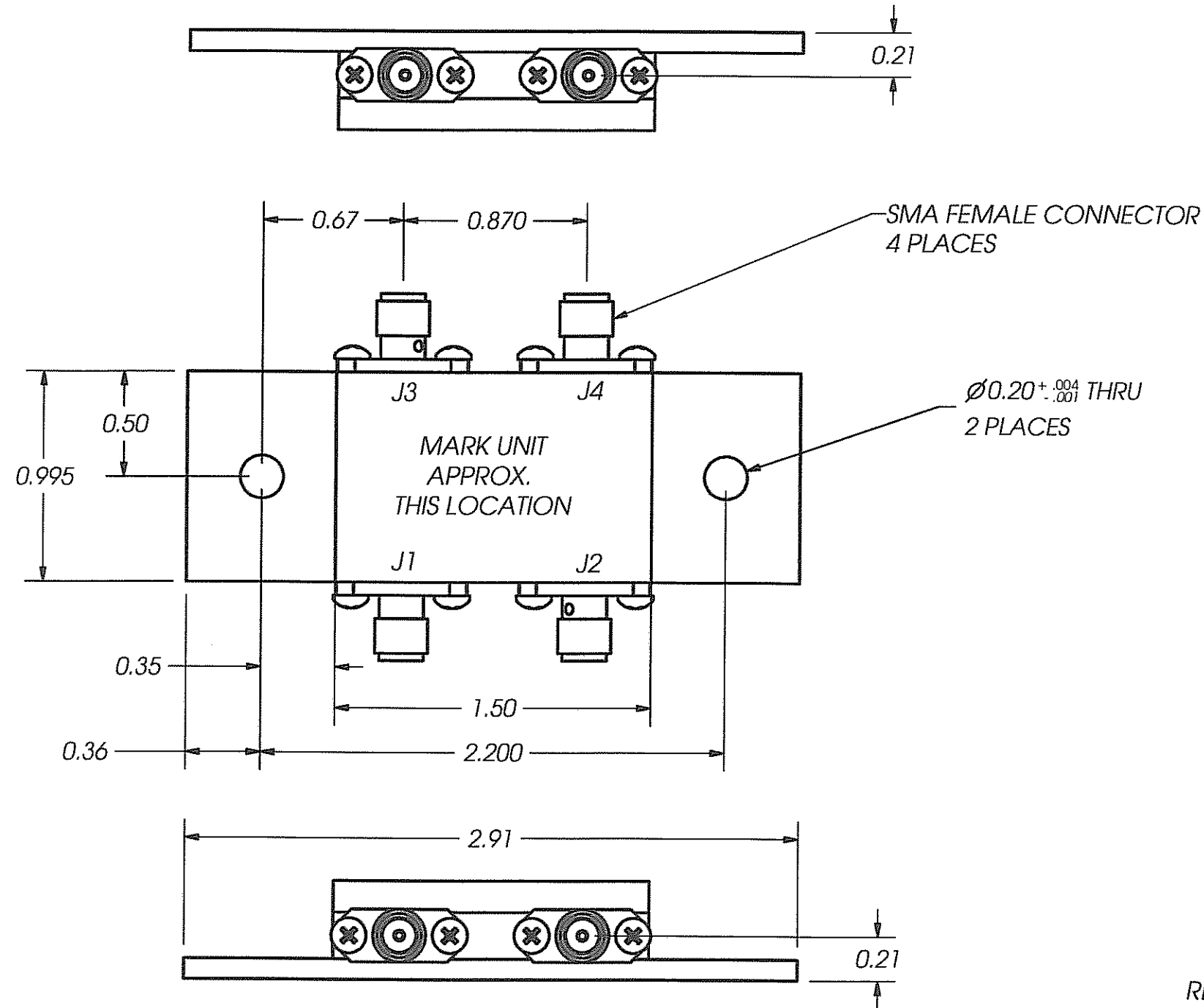


THIS DOCUMENT CONTAINS INFORMATION PROPRIETARY TO DELTA MICROWAVE. ANY REPRODUCTION WITHOUT WRITTEN PERMISSION IS EXPRESSLY PROHIBITED.

ZONE	REV	DESCRIPTION	DATE	APPROVED
	A	RELEASED	01/08/04	D.R.B.
	B	ECO#106347	02/11/04	

OBSOLETE



WEIGHT SHALL NOT EXCEED 0.2 POUNDS
 REFERENCE: LOCKHEED SPEC. #LMSC 8590599

2. MARKING: USING BLACK WORNOW INK, TO INCLUDE:
 DELTA MICROWAVE, MODEL NO., SERIAL NO.,
 CODE INDENT. NO. 51719 AND DATE CODE.

FINISH: GOLD PLATE PER MIL-G-45204

NOTES:

UNLESS OTHERWISE SPECIFIED DIMENSIONS ARE IN INCHES TOLERANCES ARE: FRACTIONS DECIMALS ANGLES + .xx ± .01 - .xxx ± .005	CONTRACT NO. S6113			Delta Microwave Inc.	
	APPROVALS			1301 VANGUARD DRIVE OXNARD, CA 93033	
	DRAWN J.A.DEHORTA		DATE	TITLE	
	REVISOR J.A.DEHORTA		01/08/04		
CHECKED		02/11/04			
APPROVED		2/13/04	S6113 OUTLINE		
FINISH		2/18/04	SIZE	CODE IDENT NO.	DWG NO
USED ON MODEL#		DO NOT SCALE DRAWING	B	51719	S6113
			SCALE 1.5/1	SHEET 1	OF 1