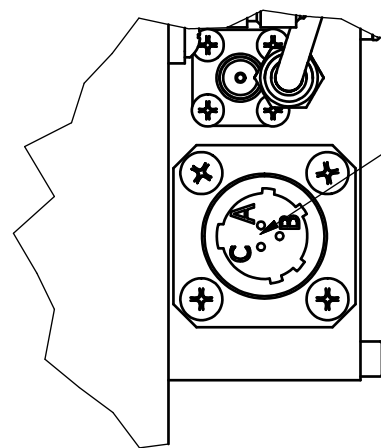
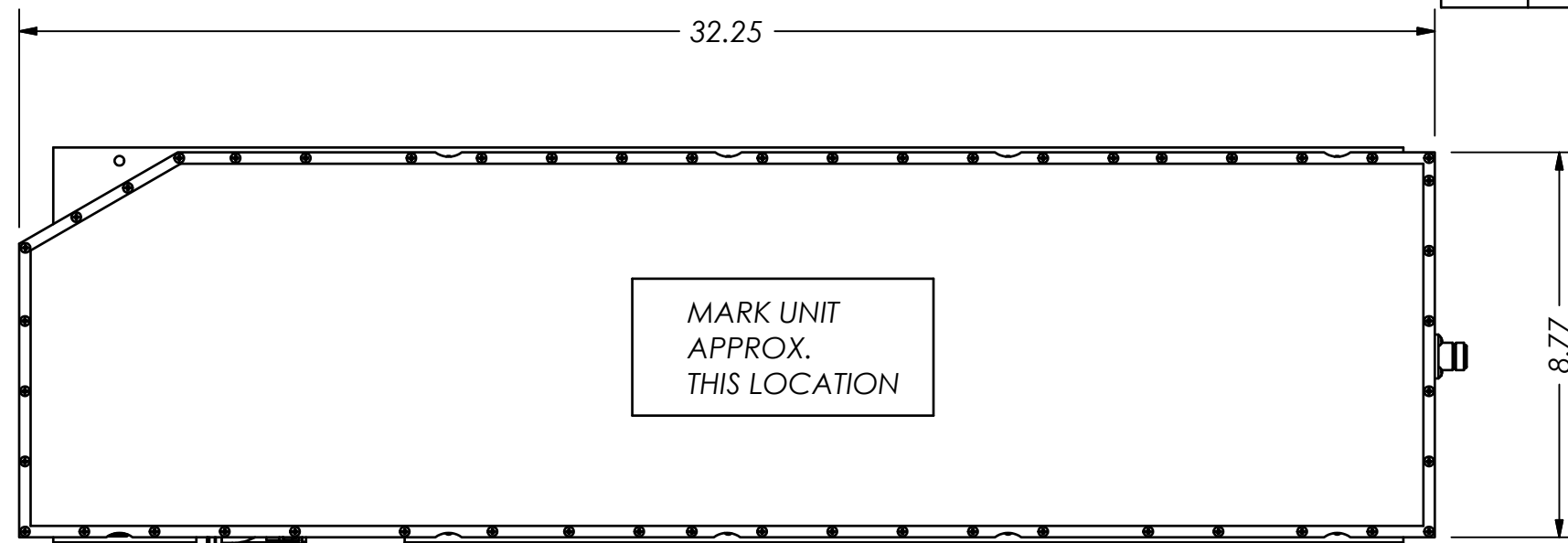
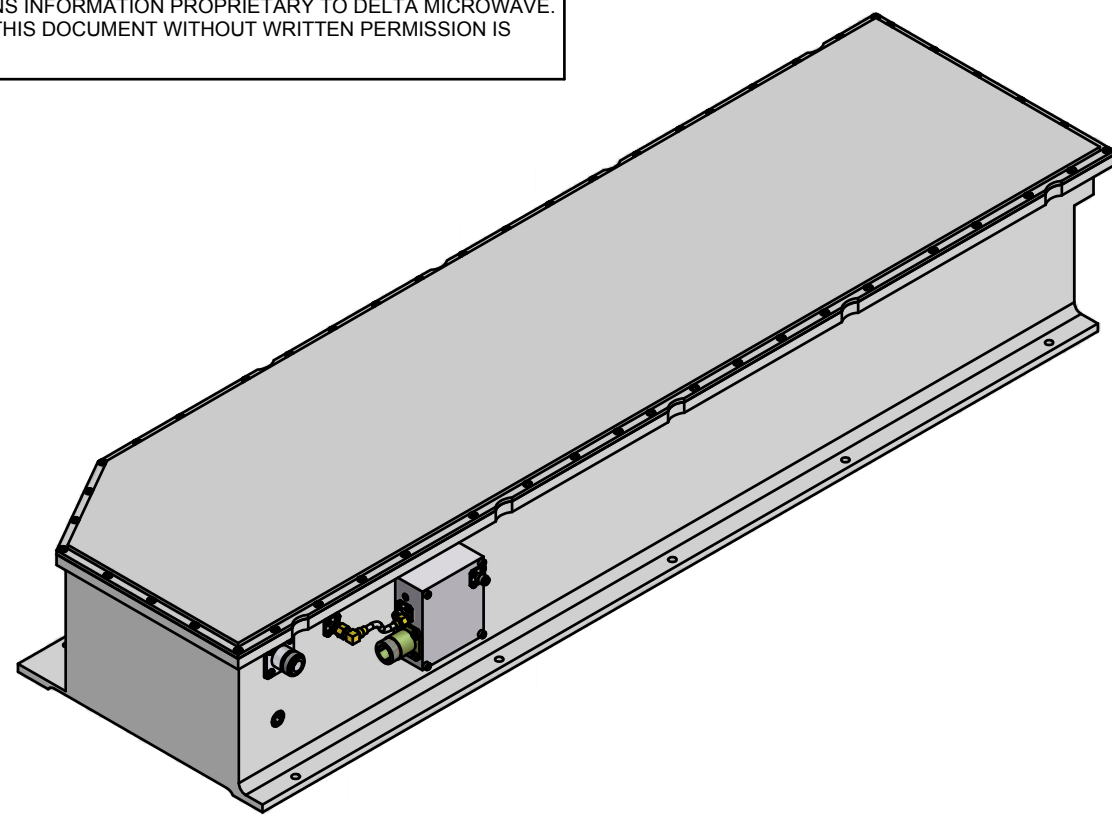


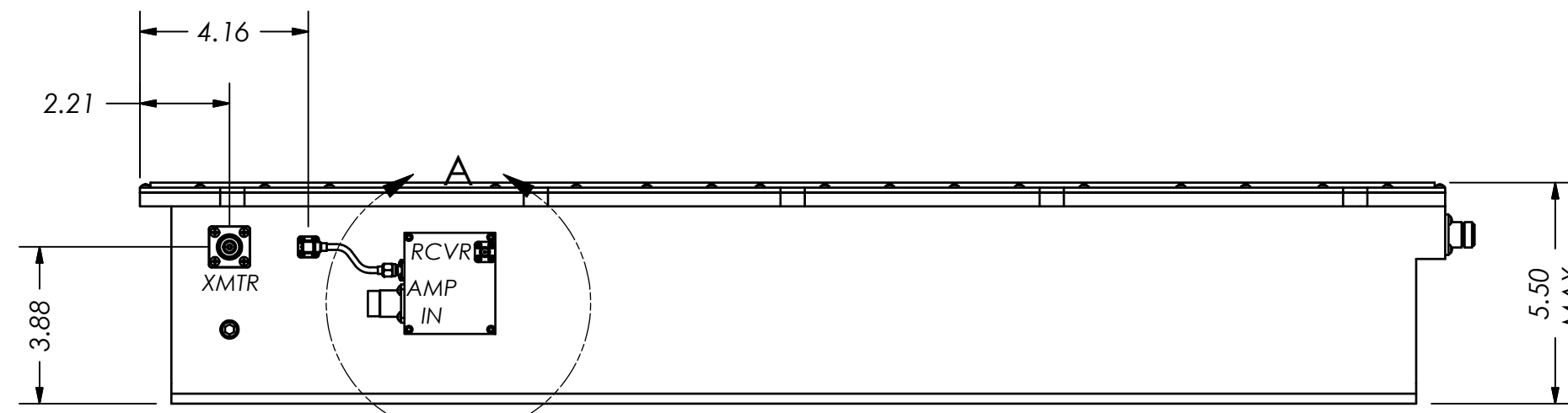
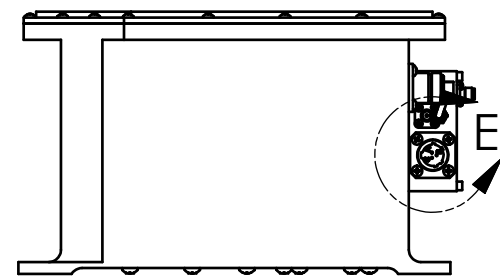
THIS DOCUMENT CONTAINS INFORMATION PROPRIETARY TO DELTA MICROWAVE. ANY REPRODUCTION OF THIS DOCUMENT WITHOUT WRITTEN PERMISSION IS EXPRESSLY PROHIBITED

ZONE	REV	DESCRIPTION	DATE	APPROVED
	A	PRELIMINARY RELEASE	10/23/08	DRB
	B	ECO#107685	10/30/08	DRB
	C	ECO#107692	11/06/08	D.R.B.
	D	ECO# 107705	12/04/08	D.R.B.
	E	ECO#107802	05/07/09	D.R.B.
	F	ECO#107803	05/11/09	D.R.B.
	G	ECO # 107903	07/30/09	

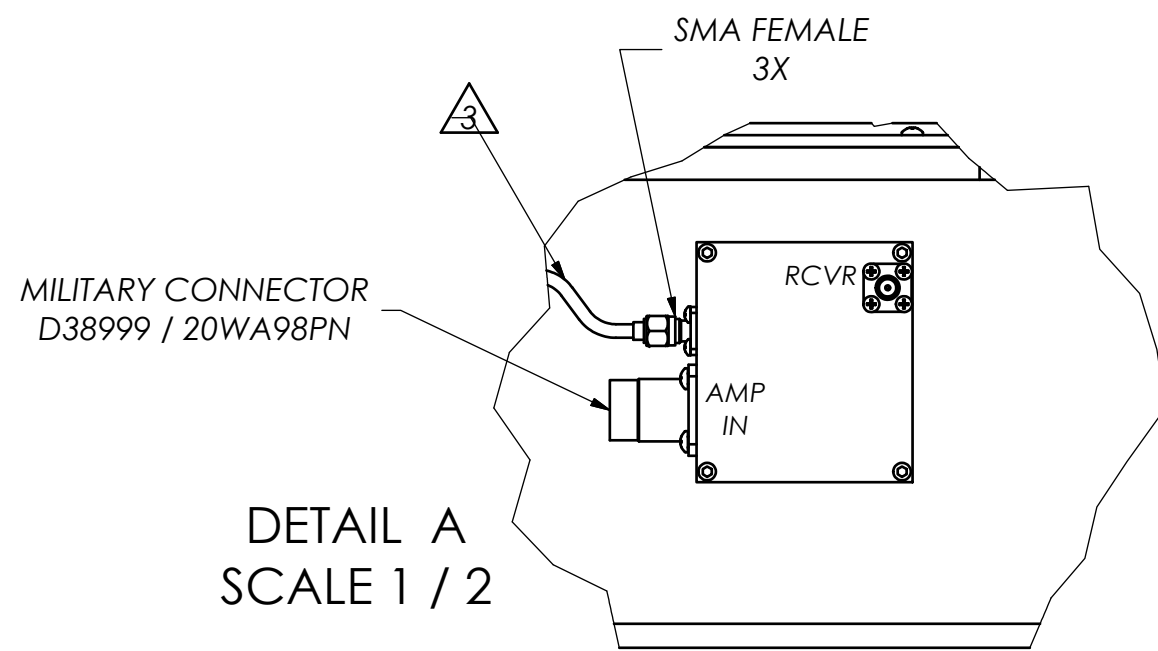
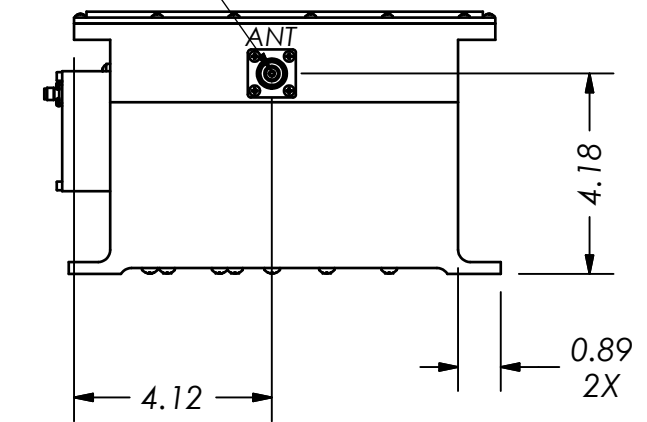


PIN A: +24 VDC  
 PIN B: +24V return  
 PIN C: case

DETAIL E  
 SCALE 1 : 1

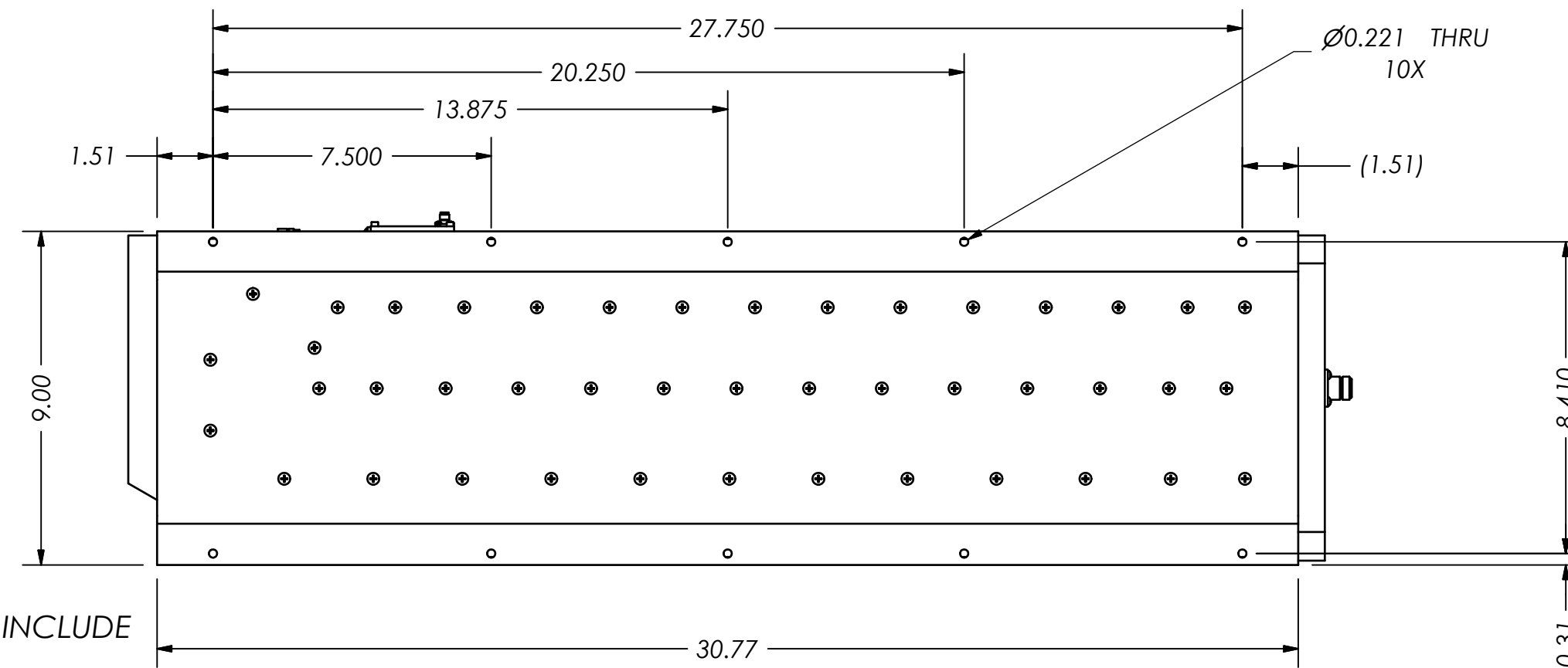


TYP N CONNECTOR  
 2X



MILITARY CONNECTOR  
 D38999 / 20WA98PN

DETAIL A  
 SCALE 1 / 2



3. CABLE CONNECTOR MAY BE REMOVED TO MEASURE INSERTION LOSS OF FILTER.

2. MARKING: USING CLEAR LABEL WITH BLACK CHARACTERS TO INCLUDE DELTA MICROWAVE, MODEL NO., SERIAL NO. CODE IDENT. NO.51719 AND DATE CODE

1. FINISH: HAZE GRAY EPOXY POLYAMIDE TOPCOAT PER MIL-P-24441B TYP. 1 (AS) COLOR NO.26270, FORMULA 151 PER MIL-P-24441/1C, QPL 24441-103 USING EPOXY POLYAMID PRIMER PER MIL-P-2441B TYP.1 24272 GREEN FORMULA 150 PER MIL-P-24441/1C, QPL 24441-103

NOTES:

UNLESS OTHERWISE SPECIFIED DIMENSIONS ARE IN INCHES TOLERANCES ARE:			CONTRACT NO. U59105	
FRACTIONS	DECIMALS	ANGLES	APPROVALS	DATE
+	.xx ± .03	+	DRAWN D.F. ESTABROOK	10/25/08
-	.xxx ± .010	-	REVISED R.SARRUCA	07/30/09
MATERIAL			CHECKED	
			APPROVED	
FINISH			CAD SYSTEM INVENTOR 2009	
USED ON MODEL#	DO NOT SCALE DRAWING			

<b>DELTA MICROWAVE INC.</b> 300 Del Norte Boulevard Oxnard, CA.93030		
<b>U59105 OUTLINE</b>		
SIZE	CODE IDENT NO.	DWG NO
C	51719	U59105
SCALE 1/4:1	SHEET 1	OF 1