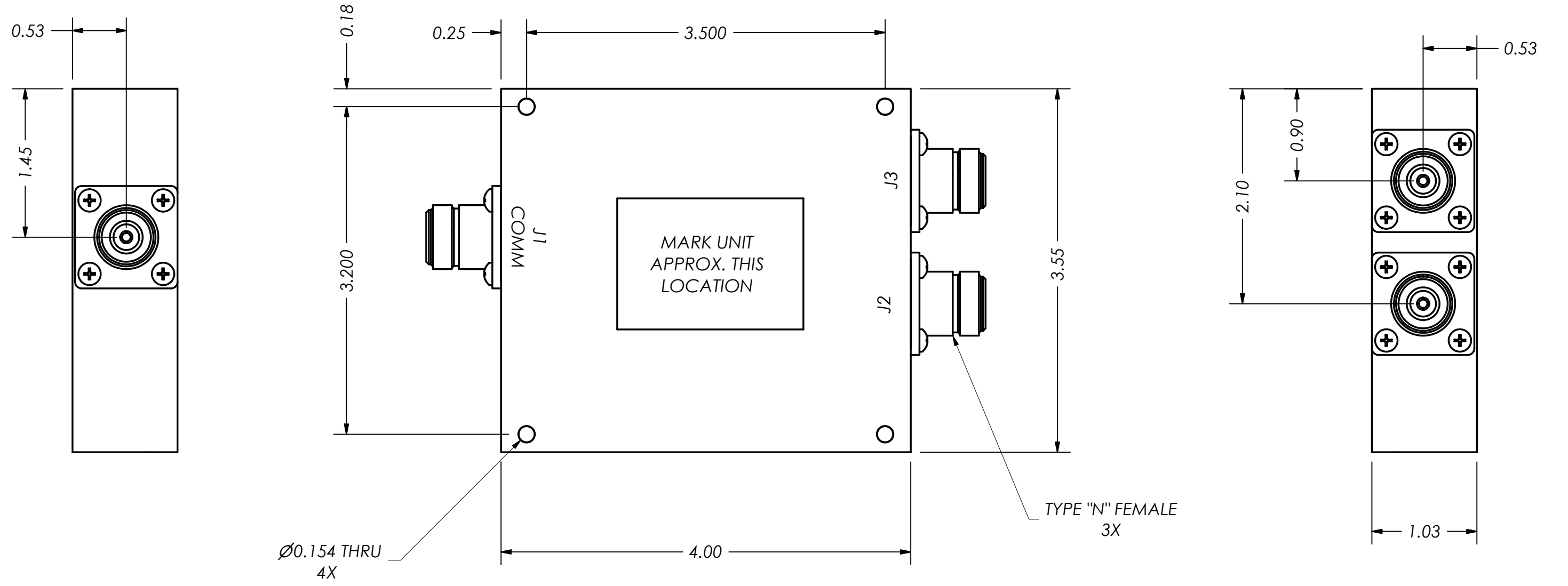


THIS DOCUMENT CONTAINS INFORMATION PROPRIETARY TO DELTA MICROWAVE. ANY REPRODUCTION WITHOUT WRITTEN PERMISSION IS EXPRESSLY PROHIBITED.

CUST. APPROVAL	ZONE	REV	DESCRIPTION	DATE	APPROVED
		A	RELEASED TO PRODUCTION	05/11/10	MJ
		B	ECO# 109241	04/12/12	




2. MARKING: USING LABEL OR BLACK EPOXY INK TO INCLUDE:  
 DELTA MICROWAVE, MODEL NO., SERIAL NO.,  
 CODE IDENT. NO. 51719 AND DATE CODE

1: FINISH: HAZE GRAY EPOXY POLYAMIDE TOPCOAT  
 PER MIL-DTL-24441C, SUP.1  
 MIL-DTL-24441/21, TYP 3, FORMULA 151  
 USING GREEN EPOXY POLYAMIDE PRIMER  
 MIL-DTL-24441/20, TYP 3, FORMULA 150

NOTES:

UNLESS OTHERWISE SPECIFIED DIMENSIONS ARE IN INCHES TOLERANCES ARE:			CONTRACT NO. U59117	
FRACTIONS	DECIMALS	ANGLES	APPROVALS	DATE
+	.xx ± .03	+	DRAWN	05/11/10
-	.xxx ± .010	-	D.F. ESTABROOK	
MATERIAL			REVISED	04/12/12
			J. GAVLIK	
FINISH			CHECKED	
SEE NOTE 1			APPROVED	
USED ON MODEL#	DO NOT SCALE DRAWING		INTERPRET DRAWINGS PER ASME Y14.100 and ASME Y14.24	

 <b>Delta Microwave Inc.</b> 300 Del Norte Boulevard Oxnard CA. 93030		
TITLE		
<b>OUTLINE</b>		
SIZE	CODE IDENT NO.	DWG NO
<b>B</b>	<b>51719</b>	<b>U59117</b>
SCALE 1:1	SHEET 1 OF 1	