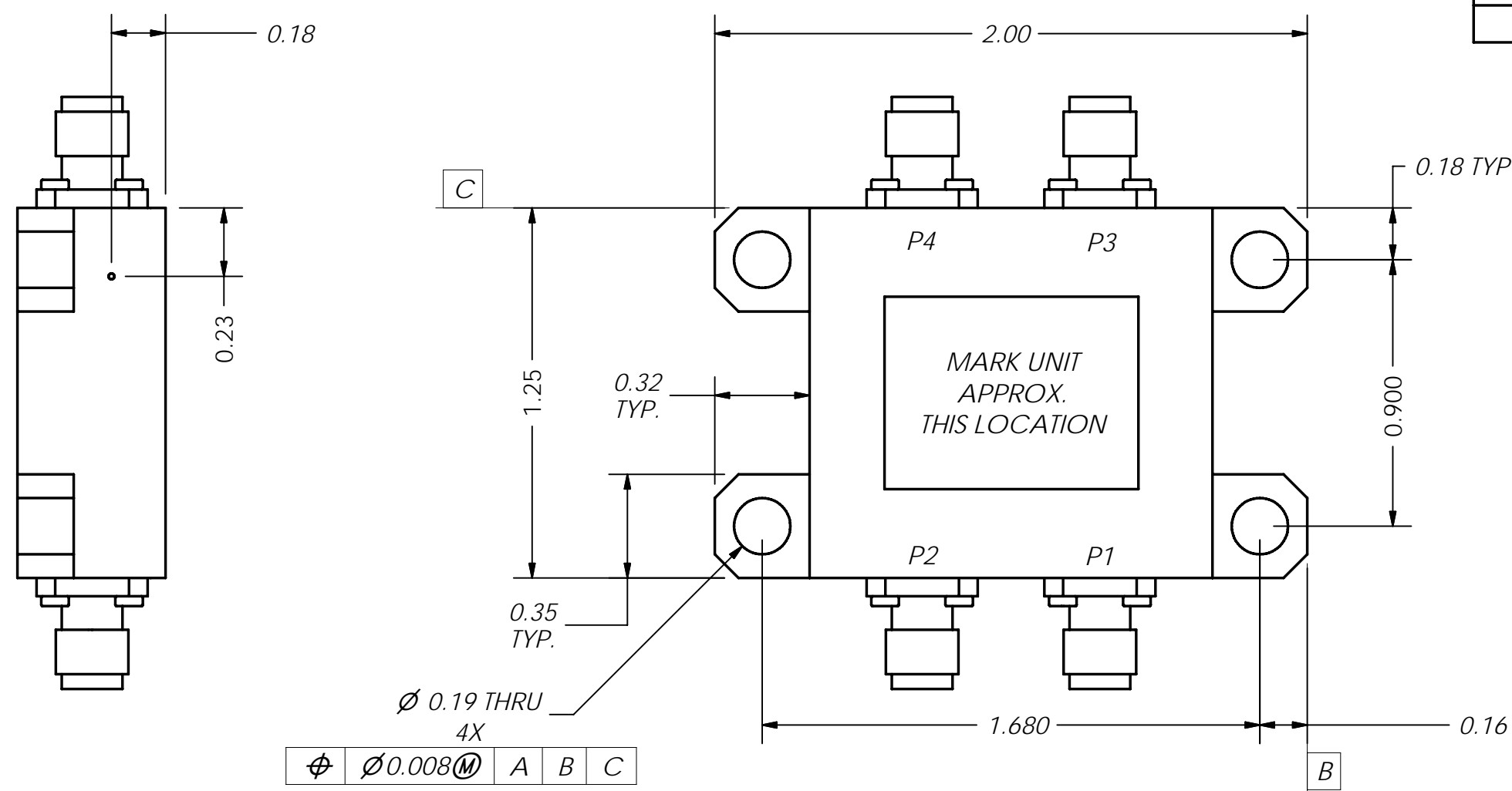
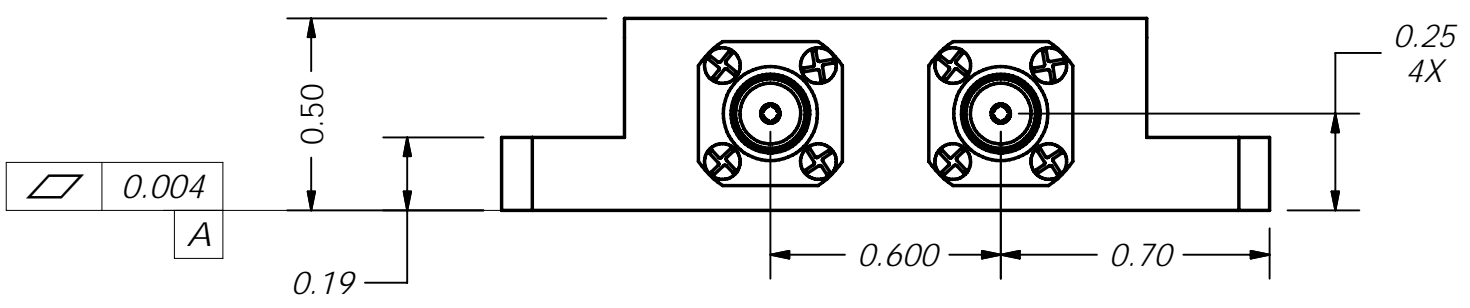
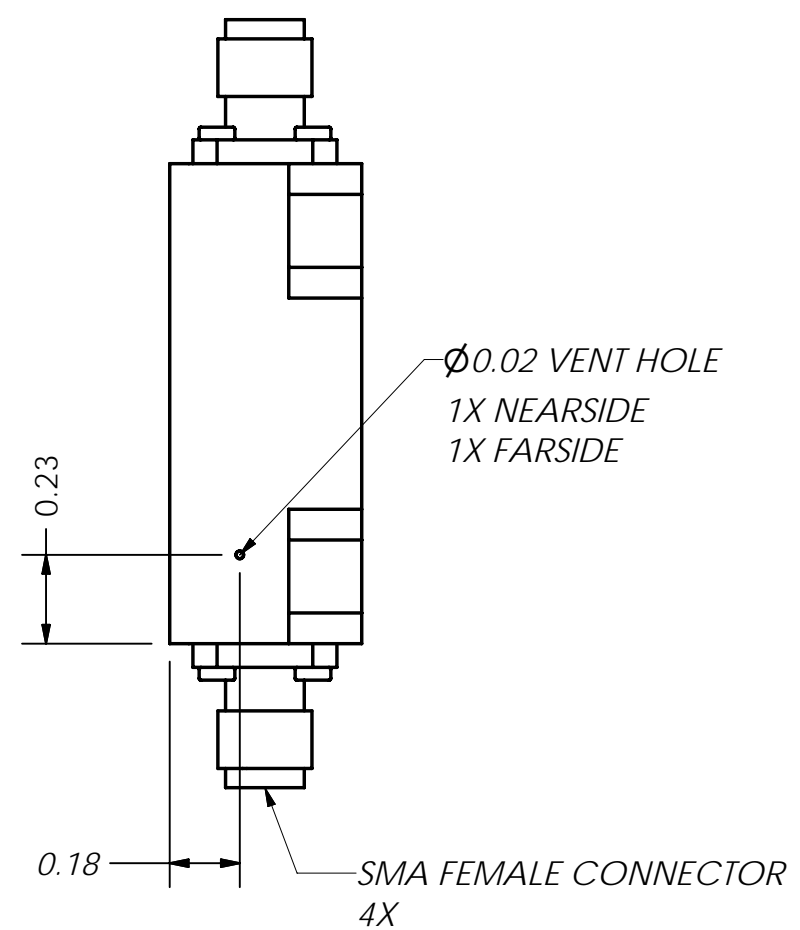


THIS DOCUMENT CONTAINS INFORMATION PROPRIETARY TO DELTA MICROWAVE. ANY REPRODUCTION WITHOUT WRITTEN PERMISSION IS EXPRESSLY PROHIBITED.

ZONE	REV	DESCRIPTION	DATE	APPROVED
	C	ECO#107021	03/19/07	D.R.B.
	D	ECO#107166	03/21/07	



Ø	Ø0.008	M	A	B	C
---	--------	---	---	---	---



HYBRID COUPLER PIN CONFIGURATION				
	P1	P2	P3	P4
CONFIG.#1	INPUT	ISOLATED	-3db, -90°	-3db, 0°
CONFIG.#2	ISOLATED	INPUT	-3db, 0°	-3db, -90°
CONFIG.#3	-3db, -90°	-3db, 0°	INPUT	ISOLATED
CONFIG.#4	-3db, 0°	-3db, -90°	ISOLATED	INPUT

2. MARKING: BLACK WORNOW INK TO INCLUDE:  
DELTA MICROWAVE, MODEL NO., SERIAL NO.,  
CODE IDENT. NO. 51719 AND DATE CODE

1: FINISH: NICKEL UNDERPLATE  
SAE-AMS-QQ-N-290 CLASS 1 GRADE G (.00002 THK. MIN.)  
GOLD PLATE PER  
SAE-AMS-2422 TYPE 1 GRADE A CLASS 1 (.00005 THK. MIN.)

NOTES:

UNLESS OTHERWISE SPECIFIED DIMENSIONS ARE IN INCHES TOLERANCES ARE: FRACTIONS    DECIMALS    ANGLES +                .xx ± .03            + -                .xxx ± .010          -			CONTRACT NO. U6116	
APPROVALS		DATE		
DRAWN D.F. ESTABROOK		07/11/06		
REVISD D.F. ESTABROOK		03/19/07		
CHECKED				
APPROVED				
MATERIAL				
FINISH				
USED ON MODEL#		DO NOT SCALE DRAWING		

<b>Delta Microwave Inc.</b> 1301 VANGUARD DRIVE OXNARD, CA 93033		
SIZE	CODE IDENT NO.	DWG NO
<b>B</b>	<b>51719</b>	<b>U6116</b>
SCALE 2:1		SHEET 1 OF 1