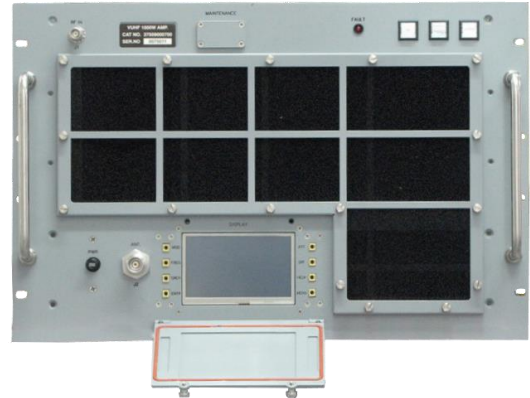




Part Number DM-HPVHF-800-110-RM Solid State Broadband High Power Amplifier

Rev. 1
12/18/2015

- Solid-state Class AB linear design
- Instantaneous ultra broadband
- Suitable for CW, AM, and FM
- 50 ohm input/output impedance
- High reliability and ruggedness
- Built-in control, monitoring and protection circuits
- LDMOS technology
- Optional Harmonic filter bank for 60dBc Harmonics
- Optional PIN diode T/R switch (50 uSec)



*shown with LCD option

ELECTRICAL SPECIFICATIONS

Vdc = 48V, over temperature and environmental conditions, as specified

Parameter	Symbol	Units	Min	Typ	Max
Operating frequency	BW	MHz	100		500
Linear Output power	P _{1dB}	W		600	
Saturated output power	P _{sat}	W	800		
Input power for 800W	P _{in}	dBm	-12	-10	-8
Power flatness, closed loop	ΔP _{CL}	dB			±0.5
Maximum input power without damage	P _{In, max}	dBm	10		
Input return loss	IRL	dB			10
Noise figure	NF	dB			15
2 nd harmonics	2 nd	dBc			-30
3 rd harmonics	3 rd	dBc			-15
Spurious	Spur	dBc			-70
Operating voltage	V _{DC}	V	46	48	50
Current consumption	I _{DC}	A			50
PA enable / Disable time (open loop)	T _{On/Off}	uSec			2

PA PROTECTION / RUGGEDNESS

The PA includes protection circuits for:

- Under / over temperature
- Under / over voltage
- Reverse polarity
- Over current (electronically monitored and internally fused)
- High VSWR (open/short)



Delta Microwave

300 Del Norte Blvd. Phone: 805.751.1100 email: sales@deltamicrowave.com
Oxnard, CA. 93030 Fax: 805.240.9544 www.deltamicrowave.com

Delta Microwave's Quality Management System has been assessed by NSF-ISR and found to be in conformance with AS9100:2009, Rev. C. Delta Microwave reserves the right to change specifications without notice. Please verify specification revision upon order placement.



Part Number DM-HPVHF-800-110-RM

Solid State Broadband High Power Amplifier

Rev. 1
12/18/2015

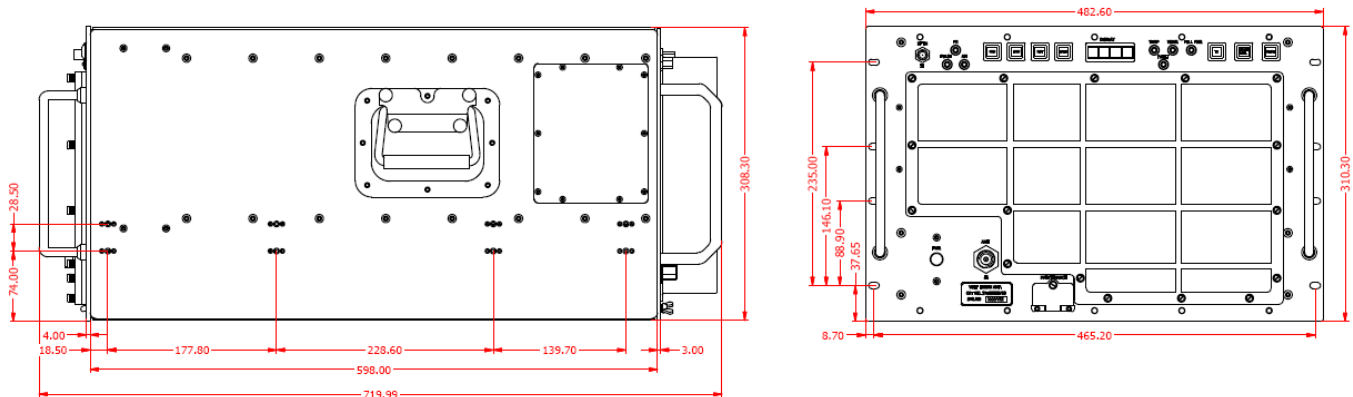
ENVIRONMENTAL SPECIFICATIONS

Parameter	Symbol	Min	Typ	Max	Unit
Operating ambient Temperature	Tc	-10		+55	°C
Storage Temperature	Tstg	-40		+85	°C
Relative humidity (non-condensing)	RH			95	%
Altitude (MIL-STD-810F Method 500.4)	ALT			10,000	Feet
Shock / Vibration (MIL-STD-810F Method 514.5) Category 20	SH / VI				

MECHANICAL SPECIFICATIONS

Parameter	Value	Units	Limits
Dimensions	19 X 12.25 (7U) X 24	Inch	Max
Weight	60	kg	Max
RF Connectors	TNC Female, N-Type Female		
DC / Control Connector	D38999		
Cooling	Forced air cooling (front to back)		
LCD (optional)	Touch screen digital display: FWD/RFL indication, modes, fault type indication		
Communication	RS 422 - 9600 bps asynchronous		
Ground stud	Rear panel		
Rack slide	Jonathan slides (150QDA-26-P) provisions		
Chassis protection	Alodine (chemical conversion coating)		
Remote interface connector	D38999/20WE35SC		
DC power connector	D38999/20WJ24PN		

OUTLINE DRAWING (without LCD)



Delta Microwave

300 Del Norte Blvd. Phone: 805.751.1100 email: sales@deltamicrowave.com
Oxnard, CA. 93030 Fax: 805.240.9544 www.deltamicrowave.com

Delta Microwave's Quality Management System has been assessed by NSF-ISR and found to be in conformance with AS9100:2009, Rev. C. Delta Microwave reserves the right to change specifications without notice. Please verify specification revision upon order placement.