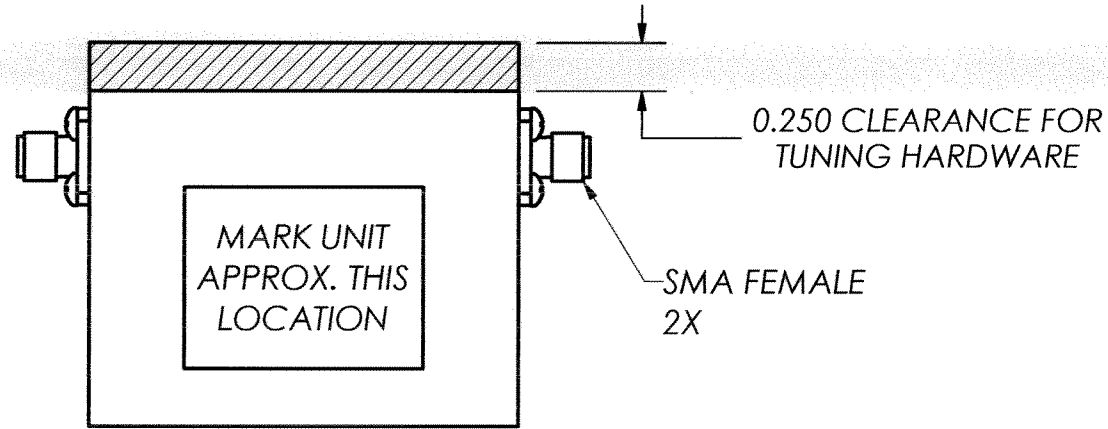
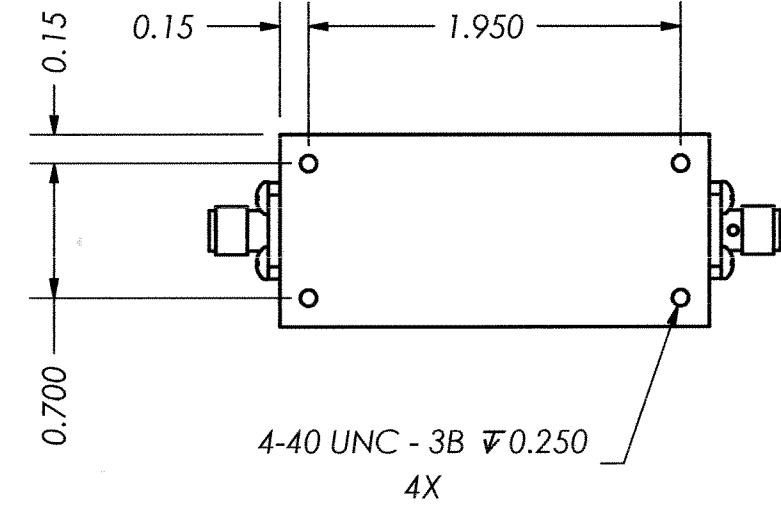
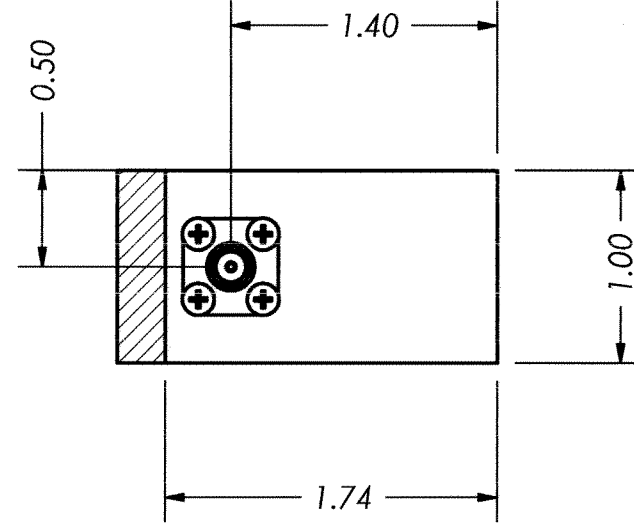
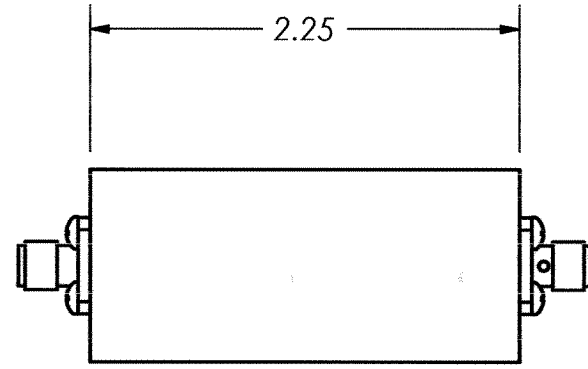


THIS DOCUMENT CONTAINS INFORMATION PROPRIETARY TO DELTA MICROWAVE. ANY REPRODUCTION WITHOUT WRITTEN PERMISSION IS EXPRESSLY PROHIBITED.

ZONE	REV	DESCRIPTION	DATE	APPROVED
	A	PRELIMINARY RELEASE	03/21/05	



2. MARKING: USING LABEL OR BLACK WARNOW INK TO INCLUDE:
DELTA MICROWAVE, MODEL NO., SERIAL NO.,
CODE IDENT. NO. 51719 AND DATE CODE

1: FINISH: HAZE GRAY EPOXY POLYAMIDE TOPCOAT
PER MIL-DTL-24441C, SUP. 1
MIL-DTL-24441/21, TYP 3, FORMULA 151
USING GREEN EPOXY POLYAMIDE PRIMER
MIL-DTL-24441/20, TYP 3, FORMULA 150

NOTES:

UNLESS OTHERWISE SPECIFIED
DIMENSIONS ARE IN INCHES
TOLERANCES ARE:
FRACTIONS DECIMALS ANGLES
+ .xx ± .03 +
- .xxx ± .010 -

CONTRACT NO. L1353

APPROVALS DATE
DRAWN D.F. ESTABROOK 03/21/05

REVIS

CHECKED *S.A. Duffin* 3/23/05

APPROVED *[Signature]* 3/23/05

Delta Microwave Inc.
1301 VANGUARD DRIVE OXNARD, CA 93033

TITLE
L1353 OUTLINE

SIZE CODE IDENT NO. DWG NO.
B 51719 L1353

SCALE 1/1 SHEET 1 OF 1

USED ON MODEL#	DO NOT SCALE DRAWING