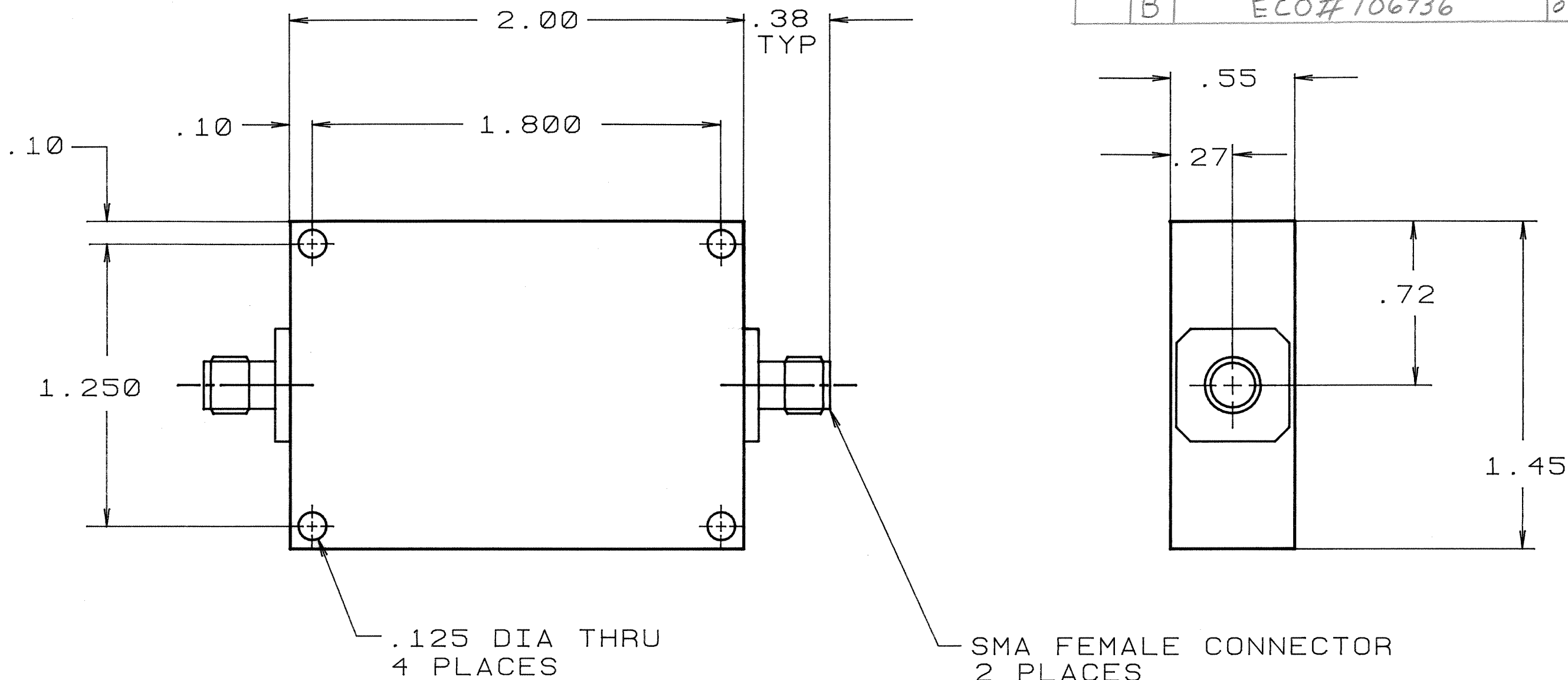


THIS DOCUMENT CONTAINS INFORMATION PROPRIETARY TO DELTA MICROWAVE. ANY REPRODUCTION OF THIS DOCUMENT WITHOUT WRITTEN PERMISSION IS EXPRESSLY PROHIBITED.

| REVISIONS | | | | |
|-----------|-----|-------------|----------|------------|
| ZONE | LTR | DESCRIPTION | DATE | APPROVED |
| | A | RELEASED | 11/1/81 | <i>AKR</i> |
| | B | ECO# 106736 | 07/14/05 | <i>SD</i> |



2. MARKING: USING BLACK WORNOW INK, TO INCLUDE:
DELTA MICROWAVE, MODEL NO., SERIAL NO.,
CODE IDENT. NO. 51719 AND DATE CODE.

1. FINISH: GREY POLYURETHANE COATING PER MIL-C-81773
(AS) COLOR NO. 16440, PER FED-STD-595
USING EPOXY PRIMER PER MIL-P-23377C

NOTES:

| QTY REQD | CODE IDENT | PART OR IDENTIFYING NO. | NOMENCLATURE OR DESCRIPTION | MATERIAL SPECIFICATION |
|--|------------|-------------------------|---|----------------------------|
| PARTS LIST | | | | |
| UNLESS OTHERWISE SPECIFIED DIMENSIONS ARE IN INCHES TOLERANCES ARE: FRACTIONS DECIMALS ANGLES ± .XX ± .03 ± .XXX ± .010 | | CONTRACT NO. L1427 | DELTA MICROWAVE 840 VIA ALONDRA CAMARILLO, CALIFORNIA 93010 | |
| MATERIAL | | APPROVALS | DATE | BANDPASS FILTER OUTLINE |
| FINISH | | DRAWN <i>ALV</i> | 11-1-82 | |
| DO NOT SCALE DRAWING | | CHECKED <i>AKR</i> | 11-1-82 | |
| SCALE 2:1 | | CODE IDENT NO. 51719 | | DRAWING NO. L1427 |
| SHEET 1 OF 1 | | | | |