

4

3

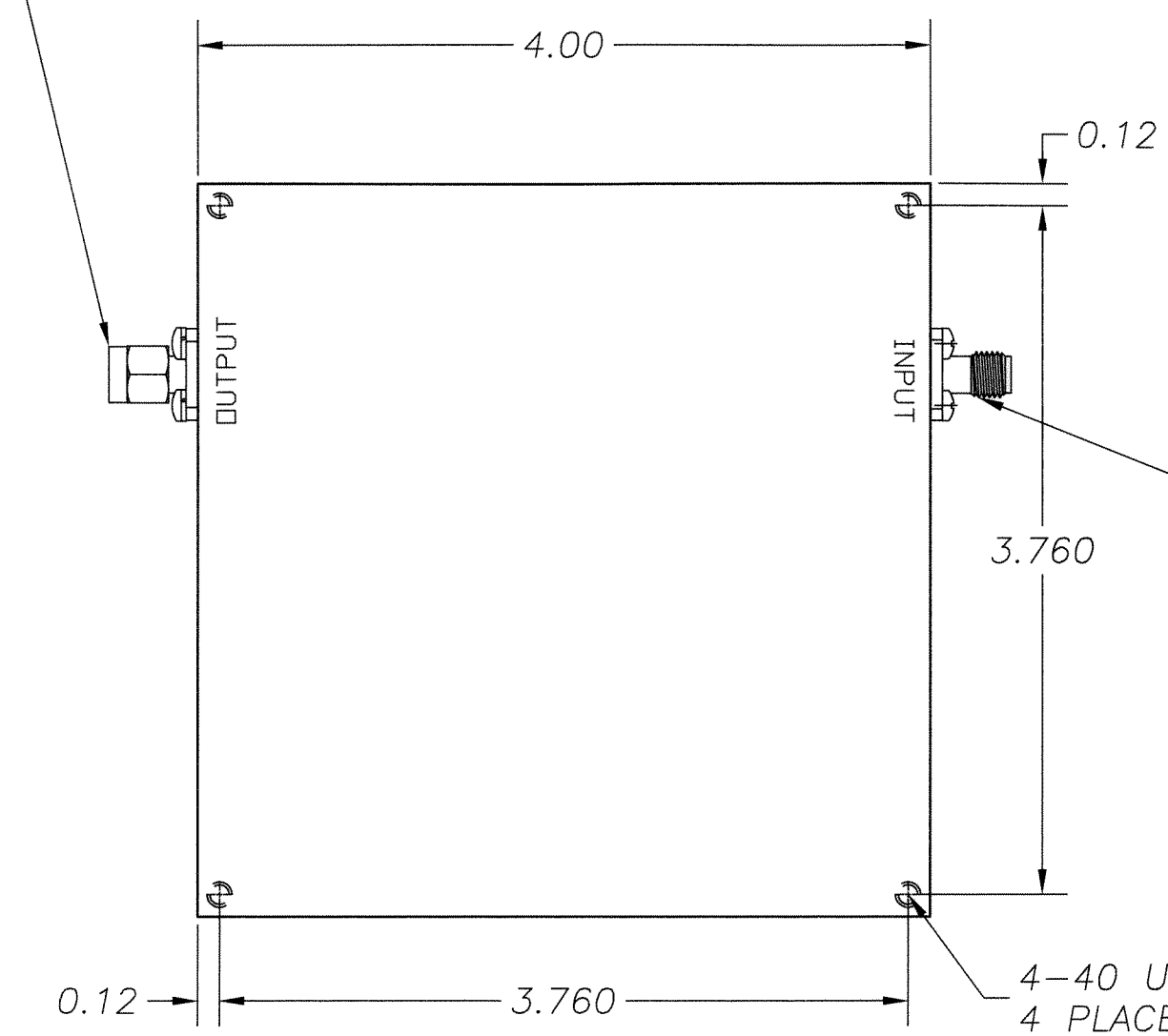
2

1

THIS DOCUMENT CONTAINS INFORMATION PROPRIETARY TO DELTA MICROWAVE. ANY REPRODUCTION OF THIS DOCUMENT WITHOUT WRITTEN PERMISSION IS EXPRESSLY PROHIBITED.

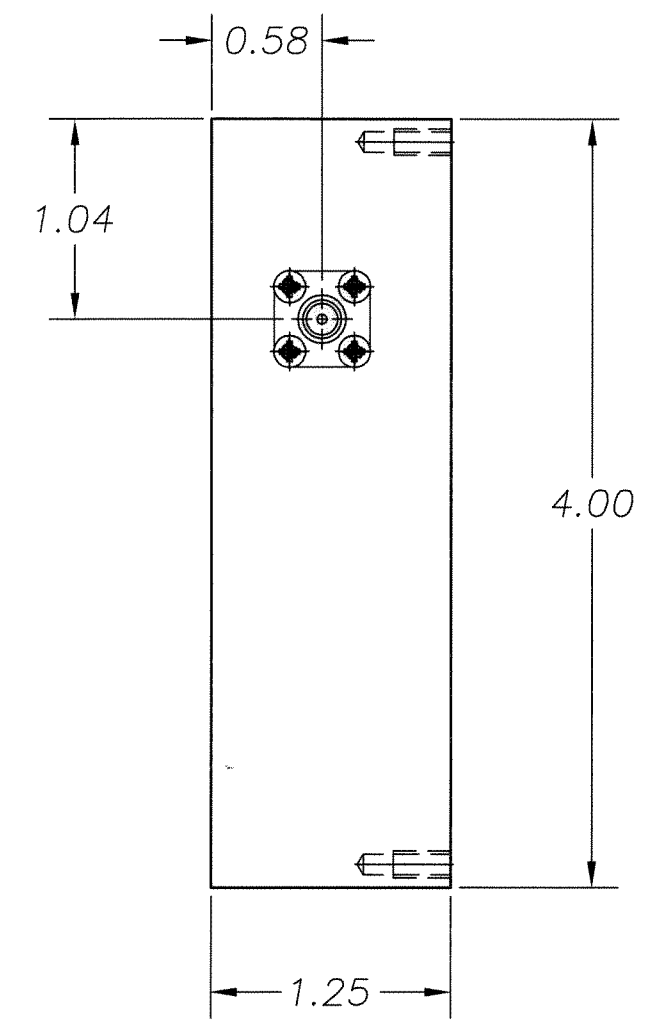
REVISIONS				
ZONE	REV	DESCRIPTION	DATE	APPROVED
	A	RELEASED	03/26/99	R.E.S.
	B	ADDED MARKING CORRECT CONNECTORS	04/06/99	<i>ff</i>

SMA MALE CONNECTOR



SMA FEMALE CONNECTOR

4-40 UNC-2B X 0.300 DEEP
4 PLACES FARSIDE



2. MARKING: USING BLACK WARNOW INK TO INCLUDE:
DELTA MICROWAVE, MODEL NO., SERIAL NO.,
CODE IDENT. NO. 51719 AND DATE CODE

1: FINISH: HAZE GRAY EPOXY POLYAMIDE TOPCOAT
PER MIL-P-24441B TYP.1
(AS)COLOR NO.26270,FORMULA 151
PER MIL-P-24441/1C,QPL 24441-103
USING EPOXY POLYAMIDE PRIMER
PER MIL-P-24441B TYP.1 24272 GREEN
FORMULA 150 PER MIL-P-24441/1C,QPL 24441-103

NOTES:

QTY REQD	CODE IDENT	PART OR IDENTIFYING NO.	NOMENCLATURE OR DESCRIPTION	MATERIAL SPECIFICATION	
PARTS LIST					
UNLESS OTHERWISE SPECIFIED DIMENSIONS ARE IN INCHES TOLERANCES ARE: FRACTIONS DECIMALS ANGLES + .XX ±.01 + - .XXX ±.005 -		CONTRACT NO. L1471	APPROVALS DRAWN <i>D.F. ESTABROOK</i> CHECKED <i>[Signature]</i> APPROVED <i>[Signature]</i>	DATE 03/26/99 4/7/99	DELTA MICROWAVE 1301 VANGUARD DR. OXNARD CALIFORNIA 93033 TITLE OUTLINE SIZE B CODE IDENT NO. 51719 DRAWING NO. L1471
MATERIAL		FINISH			
L1471		DO NOT SCALE DRAWING			
USED ON MODEL#		SCALE FULL			
		SHEET 1 OF 1			

4

3

2

1