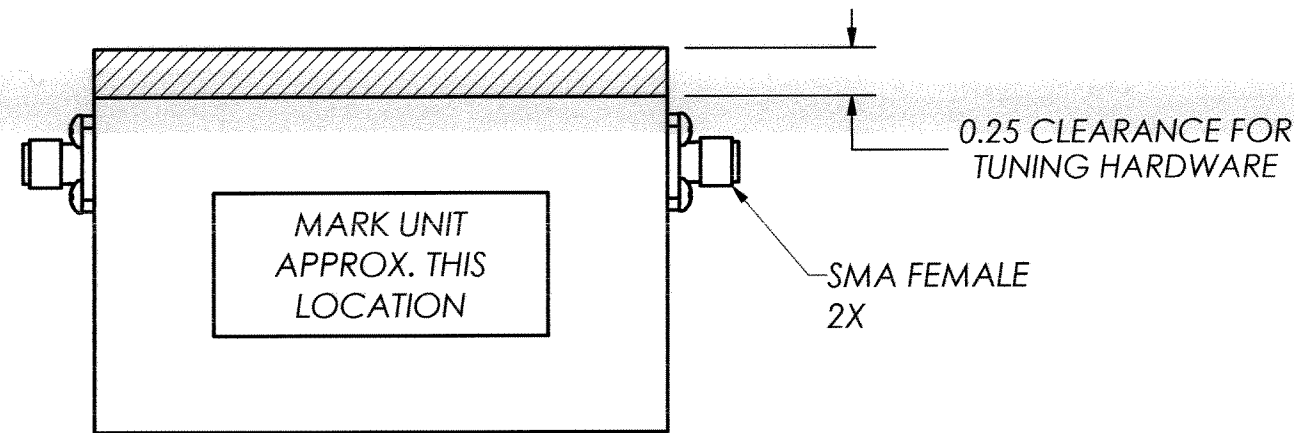
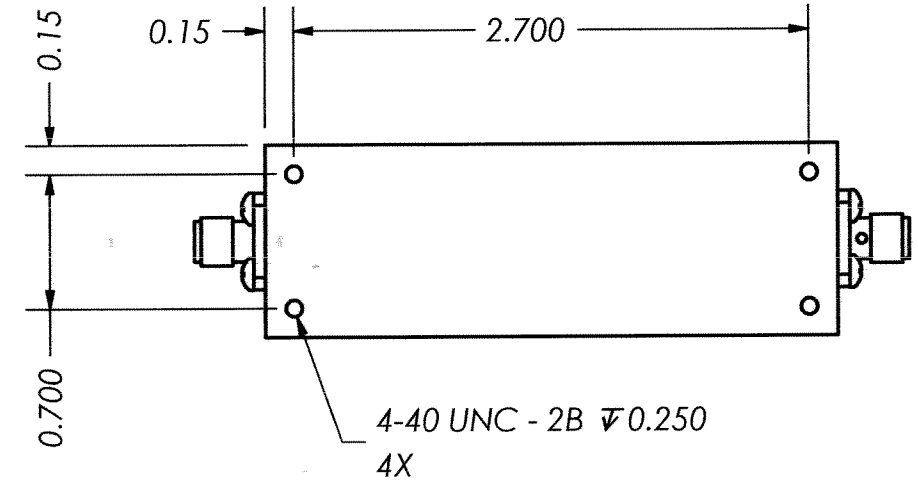
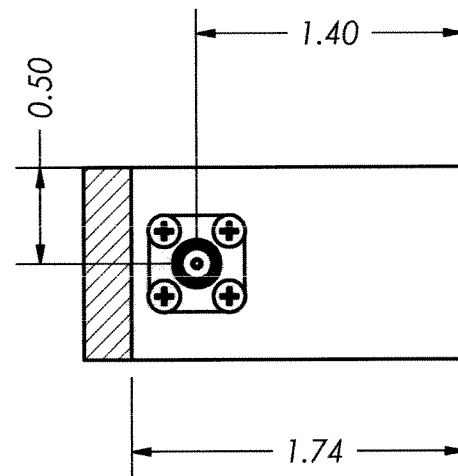
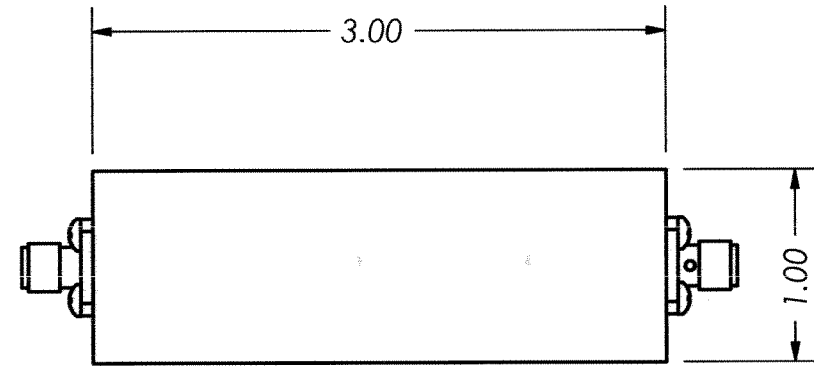


THIS DOCUMENT CONTAINS INFORMATION PROPRIETARY TO DELTA MICROWAVE. ANY REPRODUCTION WITHOUT WRITTEN PERMISSION IS EXPRESSLY PROHIBITED.

ZONE	REV	DESCRIPTION	DATE	APPROVED
	A	PRELIMINARY RELEASE	03/17/05	



2. MARKING: USING LABEL OR BLACK WARNOW INK TO INCLUDE:
 DELTA MICROWAVE, MODEL NO., SERIAL NO.,
 CODE IDENT. NO. 51719 AND DATE CODE

1: FINISH: HAZE GRAY EPOXY POLYAMIDE TOPCOAT
 PER MIL-DTL-24441C, SUP. 1
 MIL-DTL-24441/21, TYP 3, FORMULA 151
 USING GREEN EPOXY POLYAMIDE PRIMER
 MIL-DTL-24441/20, TYP 3, FORMULA 150

NOTES:

UNLESS OTHERWISE SPECIFIED DIMENSIONS ARE IN INCHES TOLERANCES ARE:		CONTRACT NO. L1562		Delta Microwave Inc. 1301 VANGUARD DRIVE OXNARD, CA 93033	
FRACTIONS	DECIMALS	ANGLES	APPROVALS		
+	.xx ± .03	+	DRAWN	03/17/05	TITLE
-	.xxx ± .010	-	D.F. ESTABROOK		L1562 OUTLINE
MATERIAL		REVISED		SIZE	
FINISH		CHECKED		CODE IDENT NO.	
USED ON MODEL#		APPROVED		DWG NO.	
DO NOT SCALE DRAWING				B 51719 L1562	
		SCALE 1/1		SHEET 1 OF 1	