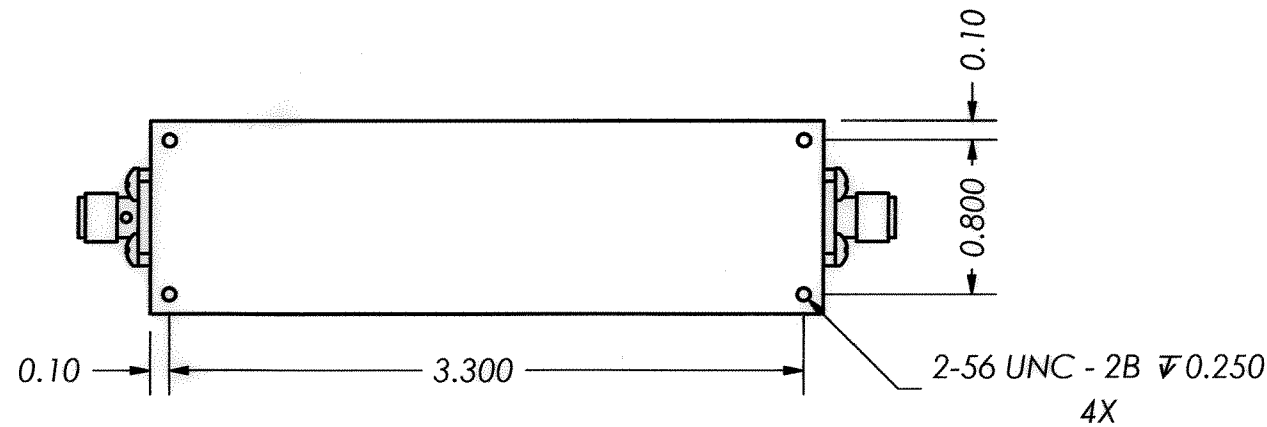
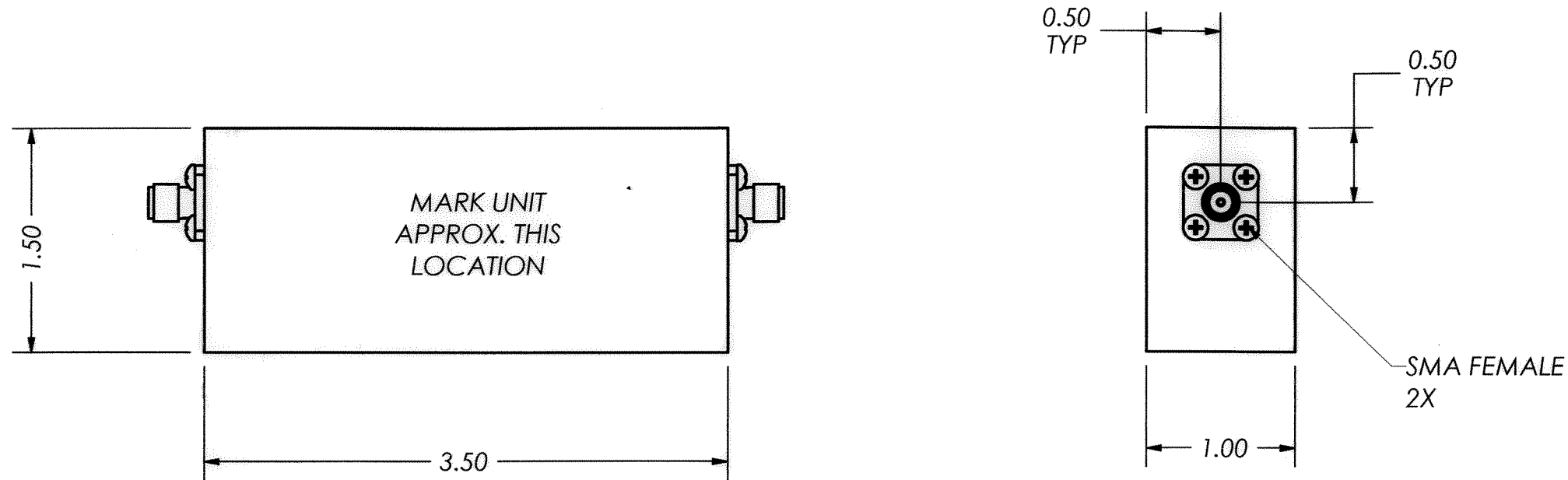


THIS DOCUMENT CONTAINS INFORMATION PROPRIETARY TO DELTA MICROWAVE. ANY REPRODUCTION WITHOUT WRITTEN PERMISSION IS EXPRESSLY PROHIBITED.

ZONE	REV	DESCRIPTION	DATE	APPROVED
	A	RELEASED	10/16/76	R.E.S.
	B	ECO#100320	07/07/81	R.E.S.
	C	SPLIT L1604&L1609 TO 2 DWGS	12/09/03	



2. MARKING: USING LABEL OR BLACK WARNOW INK TO INCLUDE:
DELTA MICROWAVE, MODEL NO., SERIAL NO.,
CODE IDENT. NO. 51719 AND DATE CODE

1: FINISH: HAZE GRAY EPOXY POLYAMIDE TOPCOAT
PER MIL-DTL-24441C, SUP. 1
MIL-DTL-24441/21, TYP 3, FORMULA 151
USING GREEN EPOXY POLYAMIDE PRIMER
MIL-DTL-24441/20, TYP 3, FORMULA 150

NOTES:

UNLESS OTHERWISE SPECIFIED
DIMENSIONS ARE IN INCHES
TOLERANCES ARE:
FRACTIONS DECIMALS ANGLES
+ .xx ± .01 +
- .xxx ± .005 -

CONTRACT NO. L1604



Delta Microwave Inc.

1301 VANGUARD DRIVE OXNARD, CA 93033

APPROVALS DATE

DRAWN D.F. ESTABROOK 12/09/03

REVISED D.F. ESTABROOK 12/09/03

CHECKED 12/9/03

APPROVED 12/10/03

TITLE
OUTLINE

FINISH

SIZE B CODE IDENT NO. 51719 DWG NO. L1604

USED ON MODEL#	DO NOT SCALE DRAWING
----------------	----------------------

SCALE 1:1 SHEET 1 OF 1