

4

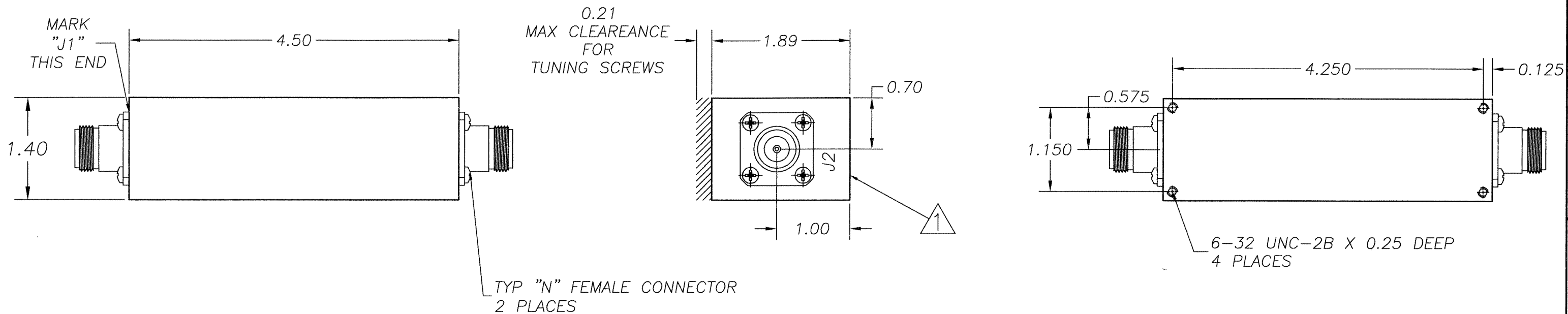
3

2

1

THIS DOCUMENT CONTAINS INFORMATION PROPRIETARY TO DELTA MICROWAVE. ANY REPRODUCTION OF THIS DOCUMENT WITHOUT WRITTEN PERMISSION IS EXPRESSLY PROHIBITED.

REVISIONS				
ZONE	REV	DESCRIPTION	DATE	APPROVED
	A	RELEASED	08/25/00	



- NOTES:
- 2. FINISH (GLOSS) WHITE PAINT
 - 1. MOUNTING SURFACE TO BE CHEM FILMED PER MIL-C-5541, CLASS 3

QTY REQD	CODE IDENT	PART OR IDENTIFYING NO.	NOMENCLATURE OR DESCRIPTION	MATERIAL SPECIFICATION
PARTS LIST				
UNLESS OTHERWISE SPECIFIED DIMENSIONS ARE IN INCHES TOLERANCES ARE:		CONTRACT NO. L1633	DELTA MICROWAVE 1301 VANGUARD DR. OXNARD CALIFORNIA 93033	
FRACTIONS DECIMALS ANGLES		APPROVALS	DATE	TITLE
+ .XX ±.01 +		DRAWN D.F. ESTABROOK	08/25/00	OUTLINE L1633
- .XXX ±.005 -		CHECKED	8/28/00	
MATERIAL		APPROVED	11/20/00	SIZE B
FINISH				CODE IDENT NO. 51719
L1633				DRAWING NO. L1633
USED ON MODEL#		DO NOT SCALE DRAWING		SCALE 3/4
				SHEET 1 OF 1