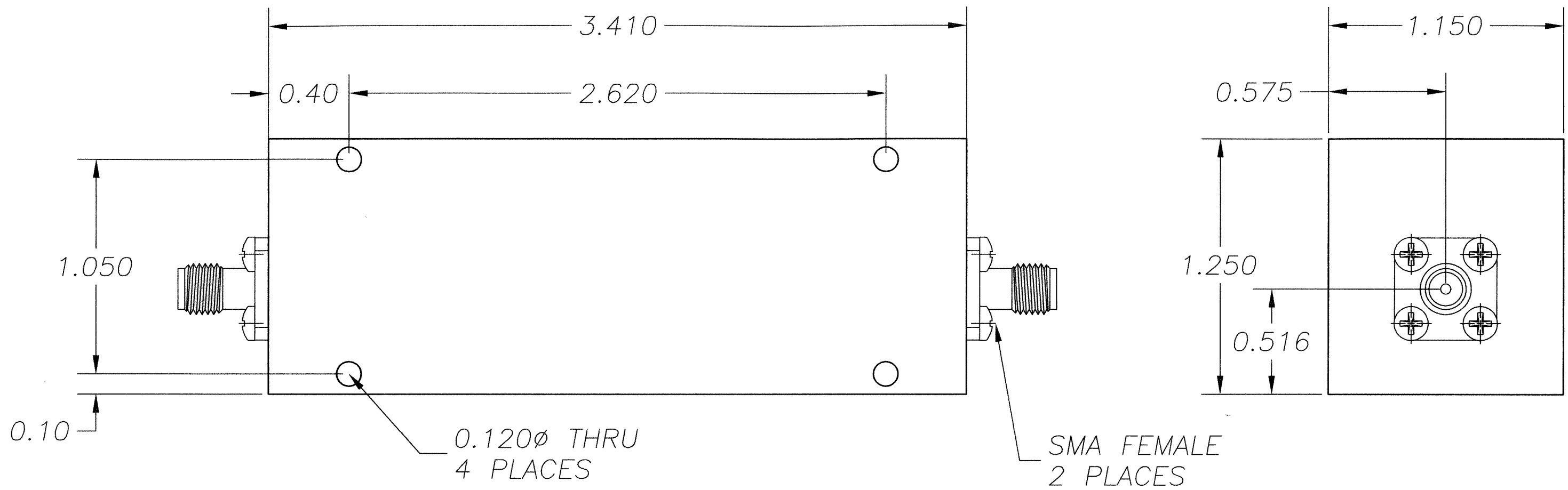


THIS DOCUMENT CONTAINS INFORMATION PROPRIETARY TO DELTA MICROWAVE. ANY REPRODUCTION OF THIS DOCUMENT WITHOUT WRITTEN PERMISSION IS EXPRESSLY PROHIBITED.

REVISIONS				
ZONE	REV	DESCRIPTION	DATE	APPROVED
	A	RELEASED	07/22/98	



2. MARKING: USING BLACK WARNOW INK TO INCLUDE: DELTA MICROWAVE, MODEL NO., SERIAL NO., CODE IDENT. NO. 51719 AND DATE CODE

1: FINISH: HAZE GRAY EPOXY POLYAMIDE TOPCOAT PER MIL-P-24441B TYP.1 (AS) COLOR NO.26270, FORMULA 151 PER MIL-P-24441/1C, QPL 24441-103 USING EPOXY POLYAMIDE PRIMER PER MIL-P-24441B TYP.1 24272 GREEN FORMULA 150 PER MIL-P-24441/1C, QPL 24441-103

NOTES:

QTY REQD	CODE IDENT	PART OR IDENTIFYING NO.	NOMENCLATURE OR DESCRIPTION	MATERIAL SPECIFICATION
PARTS LIST				
UNLESS OTHERWISE SPECIFIED DIMENSIONS ARE IN INCHES TOLERANCES ARE:		CONTRACT NO. L1819	DELTA MICROWAVE 1301 VANGUARD DR. OXNARD CALIFORNIA 93033	
FRACTIONS DECIMALS ANGLES		APPROVALS	DATE	TITLE
+ .XX ±.03 +		DRAWN D.F. ESTABROOK	07/22/98	OUTLINE
- .XXX ±.010 -		CHECKED <i>[Signature]</i>	7/22/98	
MATERIAL		APPROVED <i>[Signature]</i>	7/22/98	SIZE B
FINISH				CODE IDENT NO. 51719
L1819				DRAWING NO. L1819
USED ON MODEL#		DO NOT SCALE DRAWING		SCALE 2/1
			SHEET 1 OF 1	