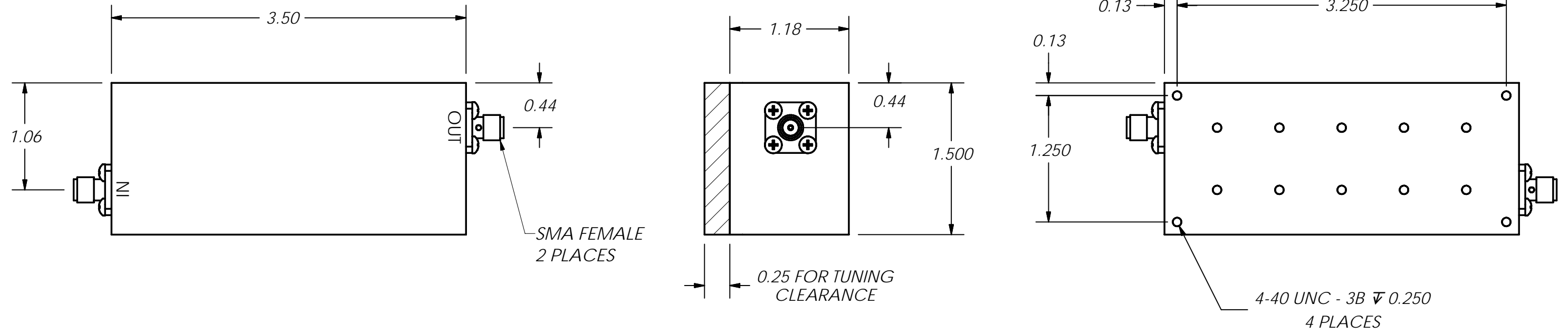


THIS DOCUMENT CONTAINS INFORMATION PROPRIETARY TO DELTA MICROWAVE. ANY REPRODUCTION WITHOUT WRITTEN PERMISSION IS EXPRESSLY PROHIBITED.

ZONE	REV	DESCRIPTION	DATE	APPROVED
	A	RELEASED	09/14/05	
	B	ECO#106849	12/09/05	



2. MARKING: USING LABEL OR BLACK WARNOW INK TO INCLUDE:
 DELTA MICROWAVE, MODEL NO., SERIAL NO.,
 CODE IDENT. NO. 51719 AND DATE CODE

1. FINISH: HAZE GRAY EPOXY POLYAMIDE TOPCOAT
 PER MIL-DTL-24441C, SUP. 1
 MIL-DTL-24441/21, TYP 3, FORMULA 151
 USING GREEN EPOXY POLYAMIDE PRIMER
 MIL-DTL-24441/20, TYP 3, FORMULA 150

NOTES:

UNLESS OTHERWISE SPECIFIED DIMENSIONS ARE IN INCHES TOLERANCES ARE:		CONTRACT NO. L1954		Delta Microwave Inc. 1301 VANGUARD DRIVE OXNARD, CA 93033		
FRACTIONS	DECIMALS	ANGLES	APPROVALS			DATE
+	.xx ± .01	+	DRAWN	09/14/05		
-	.xxx ± .005	-	J.A. DE HORTA			
MATERIAL		REVISED		TITLE <h3 style="text-align: center;">L1954 OUTLINE</h3>		
FINISH		D.F. ESTABROOK				
USED ON MODEL#		DO NOT SCALE DRAWING				
		APPROVED		SIZE	CODE IDENT NO.	DWG NO
				B	51719	L1954
				SCALE 1:1	SHEET	1 OF 1