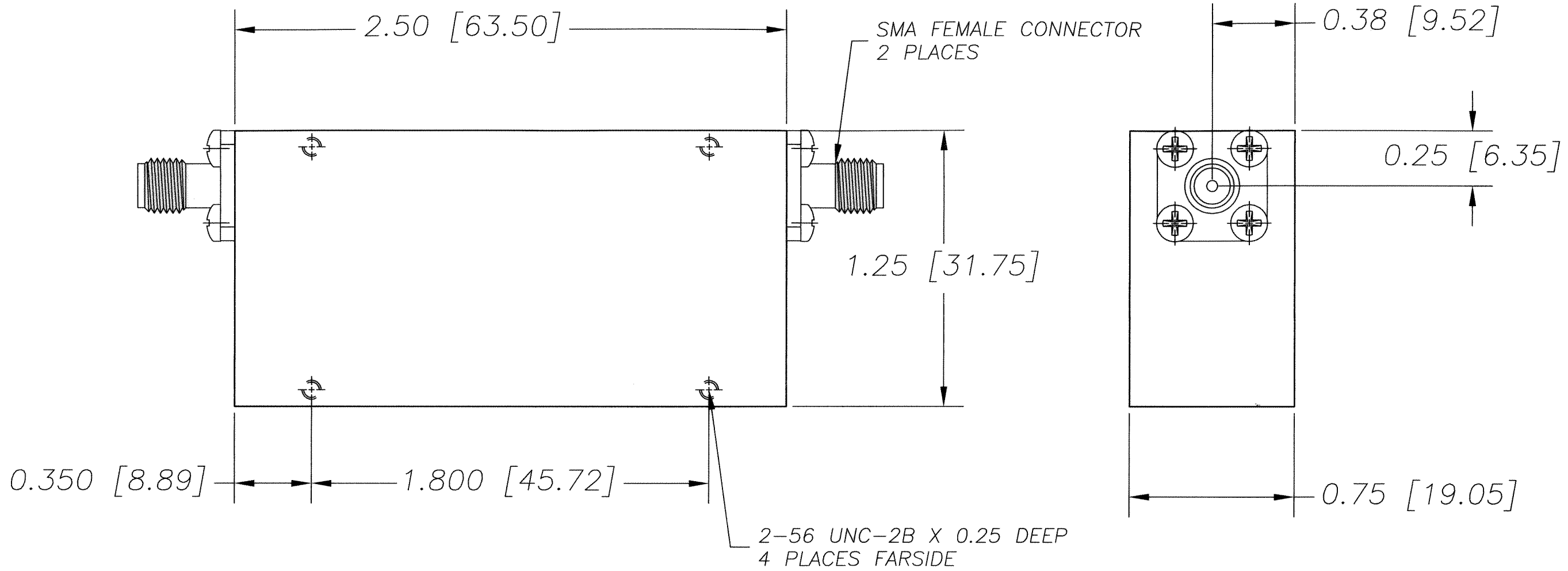


THIS DOCUMENT CONTAINS INFORMATION PROPRIETARY TO DELTA MICROWAVE. ANY REPRODUCTION OF THIS DOCUMENT WITHOUT WRIT- TEN PERMISSION IS EXPRESSLY PROHIBITED.

REVISIONS				
ZONE	REV	DESCRIPTION	DATE	APPROVED
	A	RELEASED	09/08/98	<i>[Signature]</i>



2. MARKING: USING BLACK WARNOW INK TO INCLUDE: DELTA MICROWAVE, MODEL NO., SERIAL NO., CODE IDENT. NO. 51719 AND DATE CODE

1: FINISH: HAZE GRAY EPOXY POLYAMIDE TOPCOAT PER MIL-P-24441B TYP.1 (AS)COLOR NO.26270,FORMULA 151 PER MIL-P-24441/1C,QPL 24441-103 USING EPOXY POLYAMIDE PRIMER PER MIL-P-24441B TYP.1 24272 GREEN FORMULA 150 PER MIL-P-24441/1C,QPL 24441-103

NOTES:

QTY REQD	CODE IDENT	PART OR IDENTIFYING NO.	NOMENCLATURE OR DESCRIPTION	MATERIAL SPECIFICATION
PARTS LIST				
UNLESS OTHERWISE SPECIFIED DIMENSIONS ARE IN INCHES TOLERANCES ARE:		CONTRACT NO. L2512	<b>DELTA MICROWAVE</b> 1301 VANGUARD DR. OXNARD CALIFORNIA 93033	
FRACTIONS	DECIMALS	ANGLES		
+	.XX ±.03	+	APPROVALS	DATE
-	.XXX ±.010	-	DRAWN D.F.ESTABROOK	09/08/98
MATERIAL		CHECKED	TITLE <b>OUTLINE</b>	
FINISH		APPROVED <i>[Signature]</i>		
L2512		USED ON MODEL#	SIZE B	CODE IDENT NO. 51719
DO NOT SCALE DRAWING			DRAWING NO. L2512	
			SCALE 2/1	SHEET 1 OF 1