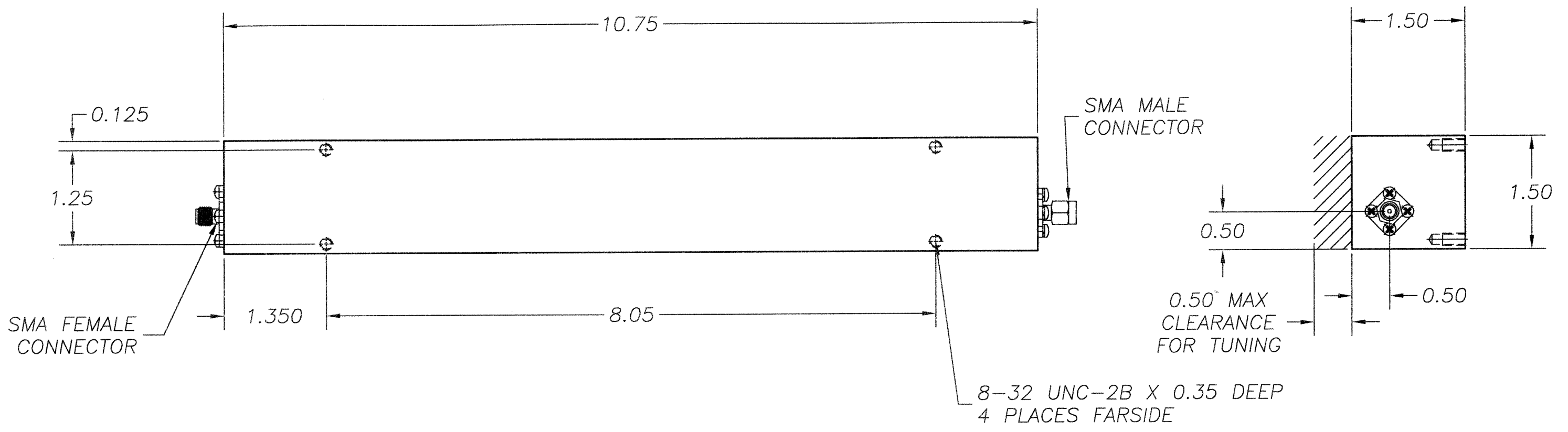


THIS DOCUMENT CONTAINS INFORMATION PROPRIETARY TO DELTA MICROWAVE. ANY REPRODUCTION OF THIS DOCUMENT WITHOUT WRITTEN PERMISSION IS EXPRESSLY PROHIBITED.

REVISIONS				
ZONE	REV	DESCRIPTION	DATE	APPROVED
	A	RELEASED	02/05/02	<i>[Signature]</i>



2. MARKING: USING BLACK TEXT TO INCLUDE:  
DELTA MICROWAVE, MODEL NO., SERIAL NO.,  
CODE IDENT. NO. 51719 AND DATE CODE

1: FINISH: HAZE GRAY EPOXY POLYAMIDE TOPCOAT  
PER MIL-P-24441B TYP.1  
(AS)COLOR NO.26270, FORMULA 151  
PER MIL-P-24441/1C, QPL 24441-103  
USING EPOXY POLYAMIDE PRIMER  
PER MIL-P-24441B TYP.1 24272 GREEN  
FORMULA 150 PER MIL-P-24441/1C, QPL 24441-103

QTY REQD	CODE IDENT	PART OR IDENTIFYING NO.	NOMENCLATURE OR DESCRIPTION	MATERIAL SPECIFICATION
PARTS LIST				
UNLESS OTHERWISE SPECIFIED DIMENSIONS ARE IN INCHES TOLERANCES ARE: FRACTIONS    DECIMALS    ANGLES +                .XX ±.03    + -                .XXX ±.010    -		CONTRACT NO. L2911		<b>DELTA MICROWAVE</b> 1301 VANGUARD DR. OXNARD CALIFORNIA 93033
MATERIAL		APPROVALS	DATE	
FINISH		DRAWN N. CASTRO	02/05/02	
L2911		CHECKED <i>[Signature]</i>	APPROVED <i>[Signature]</i> 2/28/02	TITLE <b>OUTLINE</b>
USED ON MODEL#		DO NOT SCALE DRAWING		SIZE B    CODE IDENT NO. 51719    DRAWING NO. L2911 SCALE 3/4    SHEET 1 OF 1