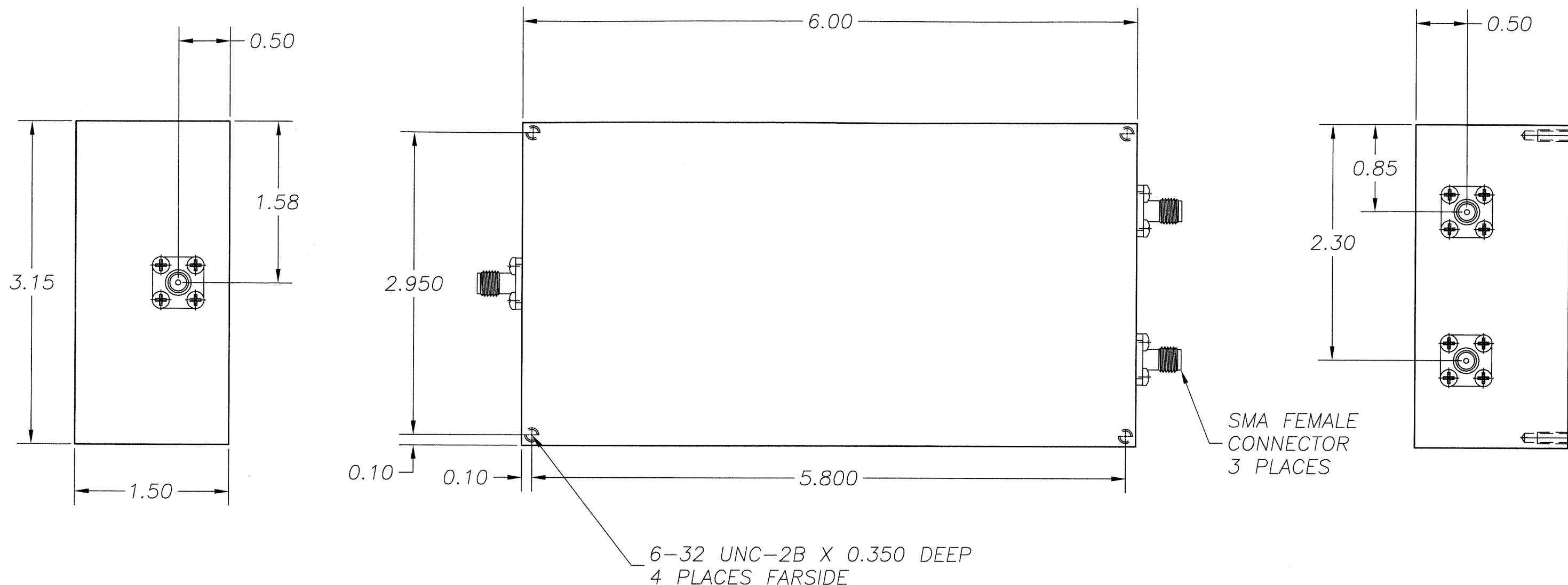


THIS DOCUMENT CONTAINS INFORMATION PROPRIETARY TO DELTA MICROWAVE. ANY REPRODUCTION OF THIS DOCUMENT WITHOUT WRITTEN PERMISSION IS EXPRESSLY PROHIBITED.

REVISIONS				
ZONE	REV	DESCRIPTION	DATE	APPROVED
	A	RELEASED	03/23/99	
	B	ECO#104713 CHANGED MOUNTING TO 6-32 X .350 DEEP PER CUSTOMER REQUEST	04/05/99	



2. MARKING: USING BLACK WARNOW INK TO INCLUDE: DELTA MICROWAVE, MODEL NO., SERIAL NO., CODE IDENT. NO. 51719 AND DATE CODE

1: FINISH: HAZE GRAY EPOXY POLYAMIDE TOPCOAT PER MIL-P-24441B TYP.1 (AS)COLOR NO.26270, FORMULA 151 PER MIL-P-24441/1C, QPL 24441-103 USING EPOXY POLYAMIDE PRIMER PER MIL-P-24441B TYP.1 24272 GREEN FORMULA 150 PER MIL-P-24441/1C, QPL 24441-103

NOTES:

QTY REQD	CODE IDENT	PART OR IDENTIFYING NO.	NOMENCLATURE OR DESCRIPTION	MATERIAL SPECIFICATION	
PARTS LIST					
UNLESS OTHERWISE SPECIFIED DIMENSIONS ARE IN INCHES TOLERANCES ARE: FRACTIONS    DECIMALS    ANGLES +                .XX ±.01    + -                .XXX ±.005    -		CONTRACT NO. L54107	APPROVALS	DATE	<b>DELTA microwave</b> DELTA MICROWAVE 1301 VANGUARD DR. OXNARD CALIFORNIA 93033
MATERIAL		DRAWN D.F. ESTABROOK	CHECKED <i>[Signature]</i>	4/5/99	
FINISH		APPROVED <i>[Signature]</i>	TITLE OUTLINE		
L54107		SIZE B	CODE IDENT NO. 51719	DRAWING NO. L54107	
USED ON MODEL#		SCALE FULL		SHEET 1 OF 1	
DO NOT SCALE DRAWING					