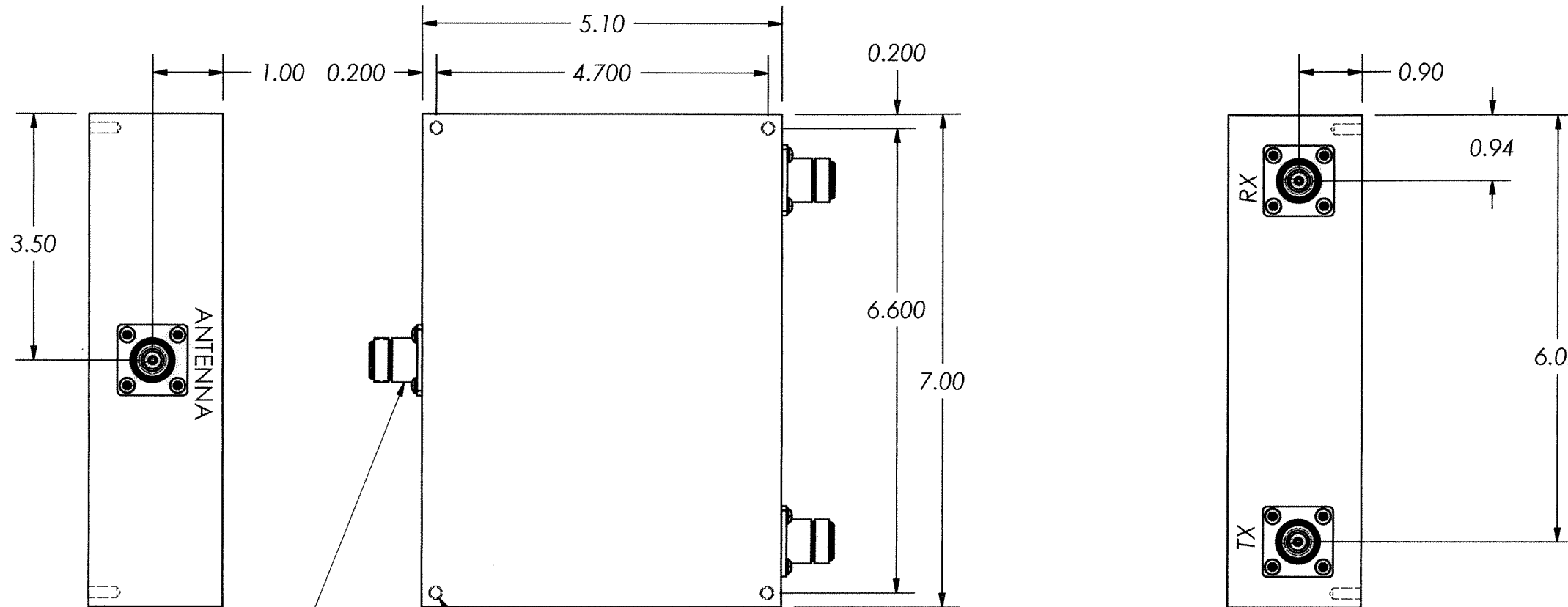


THIS DOCUMENT CONTAINS INFORMATION PROPRIETARY TO DELTA MICROWAVE. ANY REPRODUCTION WITHOUT WRITTEN PERMISSION IS EXPRESSLY PROHIBITED.

ZONE	REV	DESCRIPTION	DATE	APPROVED
	A	RELEASED	08/30/02	



"N" TYPE FEMALE CONNECTOR
3 PLACES

10-32 UNF - 2B ∇ 0.35
4 PLACES FAR SIDE

2. MARKING: USING LABEL OR BLACK WARNOW INK TO INCLUDE:
DELTA MICROWAVE, MODEL NO., SERIAL NO.,
CODE IDENT. NO. 51719 AND DATE CODE

1: FINISH: HAZE GRAY EPOXY POLYAMIDE TOPCOAT
PER MIL-DTL-24441C, SUP. 1
MIL-DTL-2441/21A, TYP 3, FORMULA 151
USING GREEN EPOXY POLYAMIDE PRIMER
MIL-DTL-2441/20A, TYP 3, FORMULA 150

NOTES:

UNLESS OTHERWISE SPECIFIED
DIMENSIONS ARE IN INCHES
TOLERANCES ARE:
FRACTIONS DECIMALS ANGLES
+ .xx ± .03 +
- .xxx ± .010 -

CONTRACT NO. L5680

APPROVALS DATE
DRAWN N. CASTRO 08/30/02

CHECKED 9/5/02
APPROVED 9/6/02

MATERIAL

FINISH

CAD SYSTEM INVENTOR 5

DELTA MICROWAVE
DELTA MICROWAVE
1301 VANGUARD DRIVE OXNARD, CA 93033

TITLE
L5680

SIZE B CODE IDENT NO. 51719 DWG NO. L5680

SCALE 1/2 SHEET 1 OF 1

USED ON MODEL#	DO NOT SCALE DRAWING