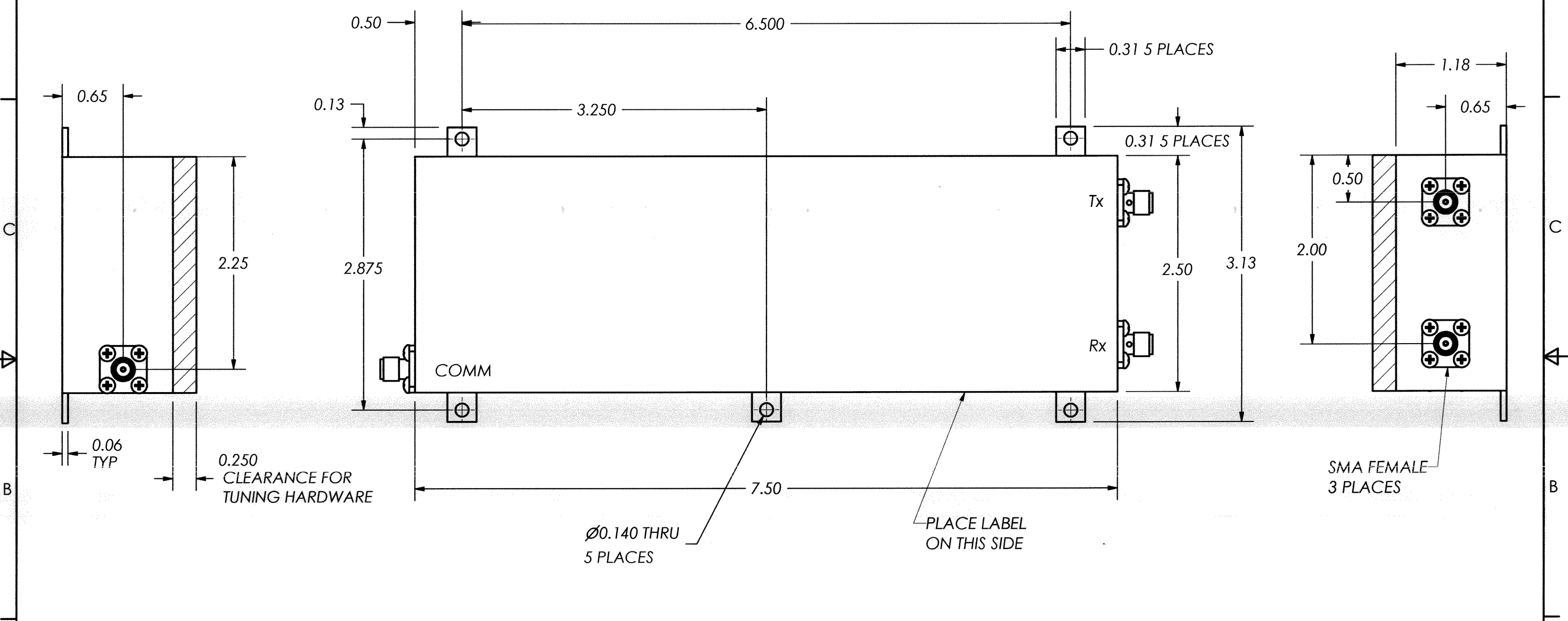


THIS DOCUMENT CONTAINS INFORMATION PROPRIETARY TO DELTA MICROWAVE. ANY REPRODUCTION WITHOUT WRITTEN PERMISSION IS EXPRESSLY PROHIBITED.

ZONE	REV	DESCRIPTION	DATE	APPROVED
	F	ECO#103613	08/24/93	R.E.S.
	G	ECO#106318	01/05/04	D.R.B.
	H	ECO#106775	08/30/05	



2. MARKING: USING CLEAR LABEL WITH BLACK CHARACTERS TO INCLUDE DELTA MICROWAVE, MODEL NO., SERIAL NO. CODE IDENT. NO. 51719 AND DATE CODE

1. FINISH: GREY POLYURETHANE COATING PER MIL-C-81773 (AS) COLOR NO. 16440, PER FED-STD-595 USING EPOXY PRIMER PER MIL-P-23377C

NOTES:

UNLESS OTHERWISE SPECIFIED DIMENSIONS ARE IN INCHES TOLERANCES ARE: FRACTIONS DECIMALS ANGLES + .xx ± .03 + - .xxx ± .010 -	CONTRACT NO. L5710		DELTA MICROWAVE 1301 VANGUARD DRIVE OXNARD, CA 93033
	APPROVALS	DATE	
	MATERIAL	DRAWN: CHECKED: APPROVED:	TITLE L5710 OUTLINE
	FINISH	USED ON MODEL# DO NOT SCALE DRAWING	SIZE: B CODE IDENT NO.: 51719 DWG NO.: L5710
		SCALE 1/1	SHEET 1 OF 1