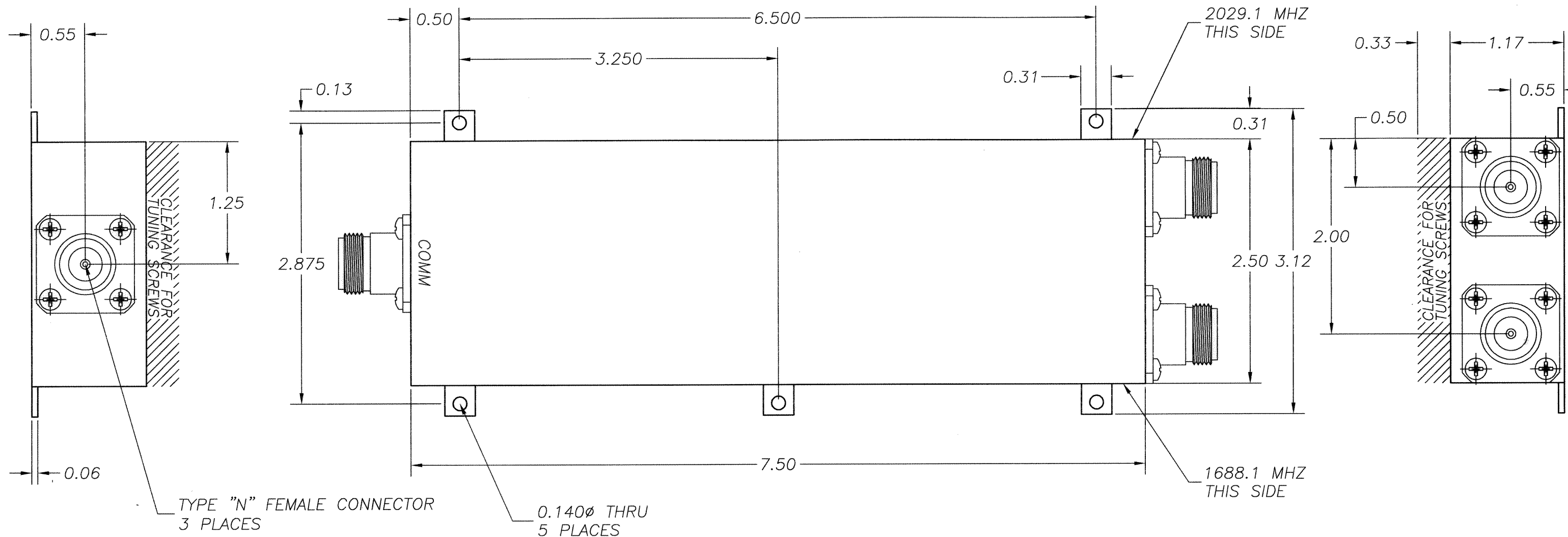


THIS DOCUMENT CONTAINS INFORMATION PROPRIETARY TO DELTA MICROWAVE. ANY REPRODUCTION OF THIS DOCUMENT WITHOUT WRIT- TEN PERMISSION IS EXPRESSLY PROHIBITED.

REVISIONS				
ZONE	REV	DESCRIPTION	DATE	APPROVED
	A	RELEASED	10/09/01	<i>[Signature]</i>



2. MARKING: USING BLACK WARNOW INK TO INCLUDE: DELTA MICROWAVE, MODEL NO., SERIAL NO., CODE IDENT. NO. 51719 AND DATE CODE

1: FINISH: HAZE GRAY EPOXY POLYAMIDE TOPCOAT PER MIL-DTL-2441/21A, TYP 3, FORMULA 151 USING GREEN EPOXY POLYAMIDE PRIMER PER MIL-DTL-2441/20A, TYP 3, FORMULA 150

NOTES:

QTY REQD	CODE IDENT	PART OR IDENTIFYING NO.	NOMENCLATURE OR DESCRIPTION	MATERIAL SPECIFICATION		
PARTS LIST						
UNLESS OTHERWISE SPECIFIED DIMENSIONS ARE IN INCHES TOLERANCES ARE:			CONTRACT NO. L5738	DELTA microwave 1301 VANGUARD DR. OXNARD CALIFORNIA 93033		
FRACTIONS	DECIMALS	ANGLES	APPROVALS		DATE	
+	.xx \pm .03	+	DRAWN	D.F. ESTABROOK	10/09/01	
-	.xxx \pm .010	-	CHECKED	<i>NWT</i>	10/12/01	
MATERIAL			APPROVED	<i>[Signature]</i>	10-12-01	
FINISH			TITLE <h1 style="text-align: center;">OUTLINE</h1>			
L5738						
USED ON MODEL#			DO NOT SCALE DRAWING	SIZE B	CODE IDENT NO. 51719	DRAWING NO. L5738
				SCALE FULL	SHEET 1 OF 1	