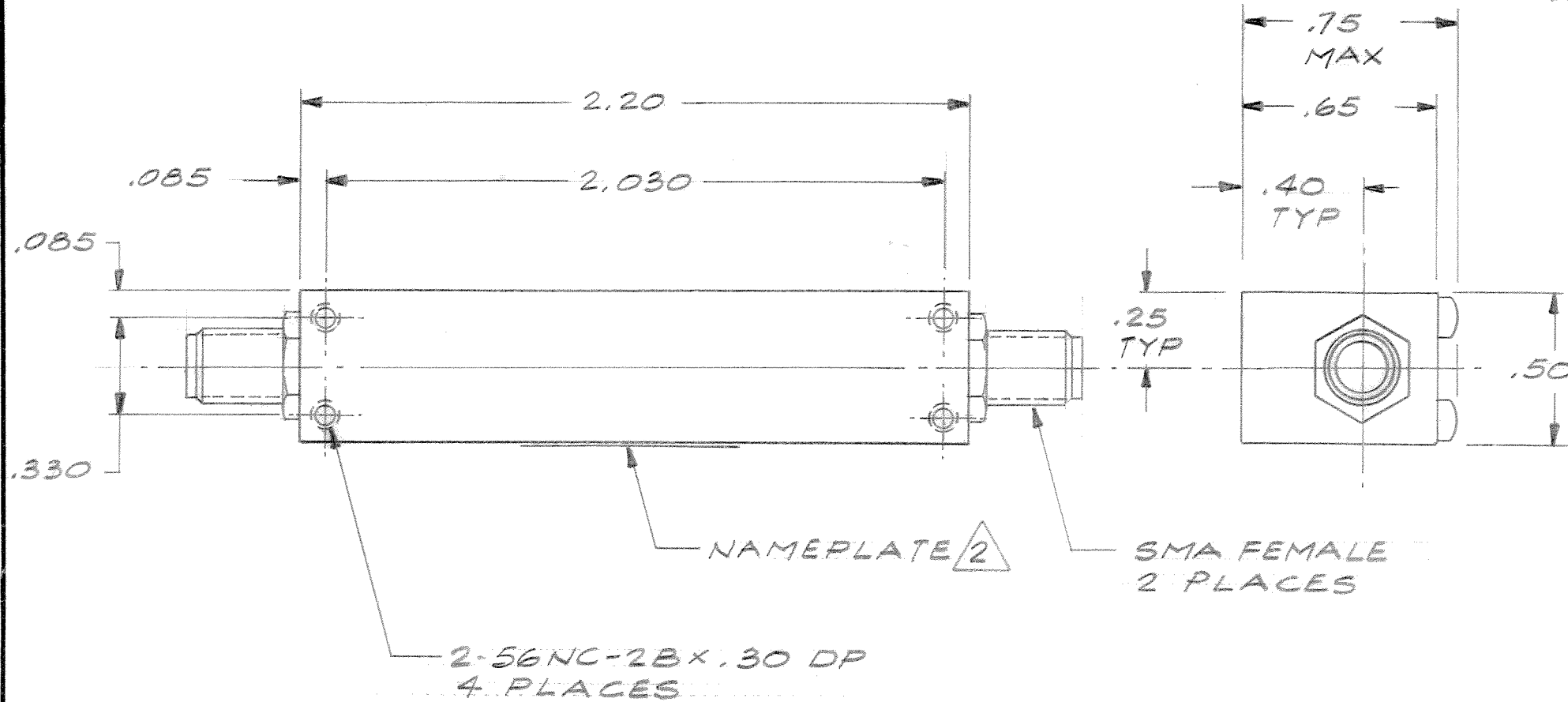


THIS DOCUMENT CONTAINS INFORMATION PROPRIETARY TO DELTA MICROWAVE. ANY REPRODUCTION OF THIS DOCUMENT WITHOUT WRITTEN PERMISSION IS EXPRESSLY PROHIBITED.

REVISION				
LTR	ECO	DESCRIPTION	DATE	APPROVED
A		RELEASED	8-8-78	<i>[Signature]</i>
B		ECO#100321	6-24-81	<i>[Signature]</i>
C		ECO#100718	10-27-82	<i>[Signature]</i>



SPECIFICATIONS

1. $f_0 = 3621 \text{ MHz}$
2. MATCHED BANDWIDTH: 20 MHz MIN
3. INSERTION LOSS: 1.5 dB MAX
4. VSWR: 1.30:1 MAX
5. REJECTION: 80 dB MIN @ < 3.0 GHz AND 6.5 TO 12.4 GHz
50 dB MIN @ 12.4 TO 25 GHz

OUTLINE DRAWING

2 IDENTIFY WITH APPROPRIATE MODEL AND SERIAL NO. AND HP PART NO. 9135-0067
 1. FINISH: WHITE ENAMEL PAINT.
 MASK CONNECTORS AND MTG HOLES.

NOTES:

CONTR. NO. 51304	DELTA MICROWAVE 31829 W. LA TIENDA WESTLAKE VILLAGE, CALIFORNIA 91361			
DR. <i>[Signature]</i> 1-21-75				
CHK. <i>[Signature]</i> 8/18/78	FILTER			
DSGN. <i>[Signature]</i>				
APPD. <i>[Signature]</i> 7-27-81	SIZE B	CODE IDENT. NO. 51719	51304	
APPD.	SCALE	WEIGHT	SHEET	
APPD.	DO NOT SCALE DRAWING			