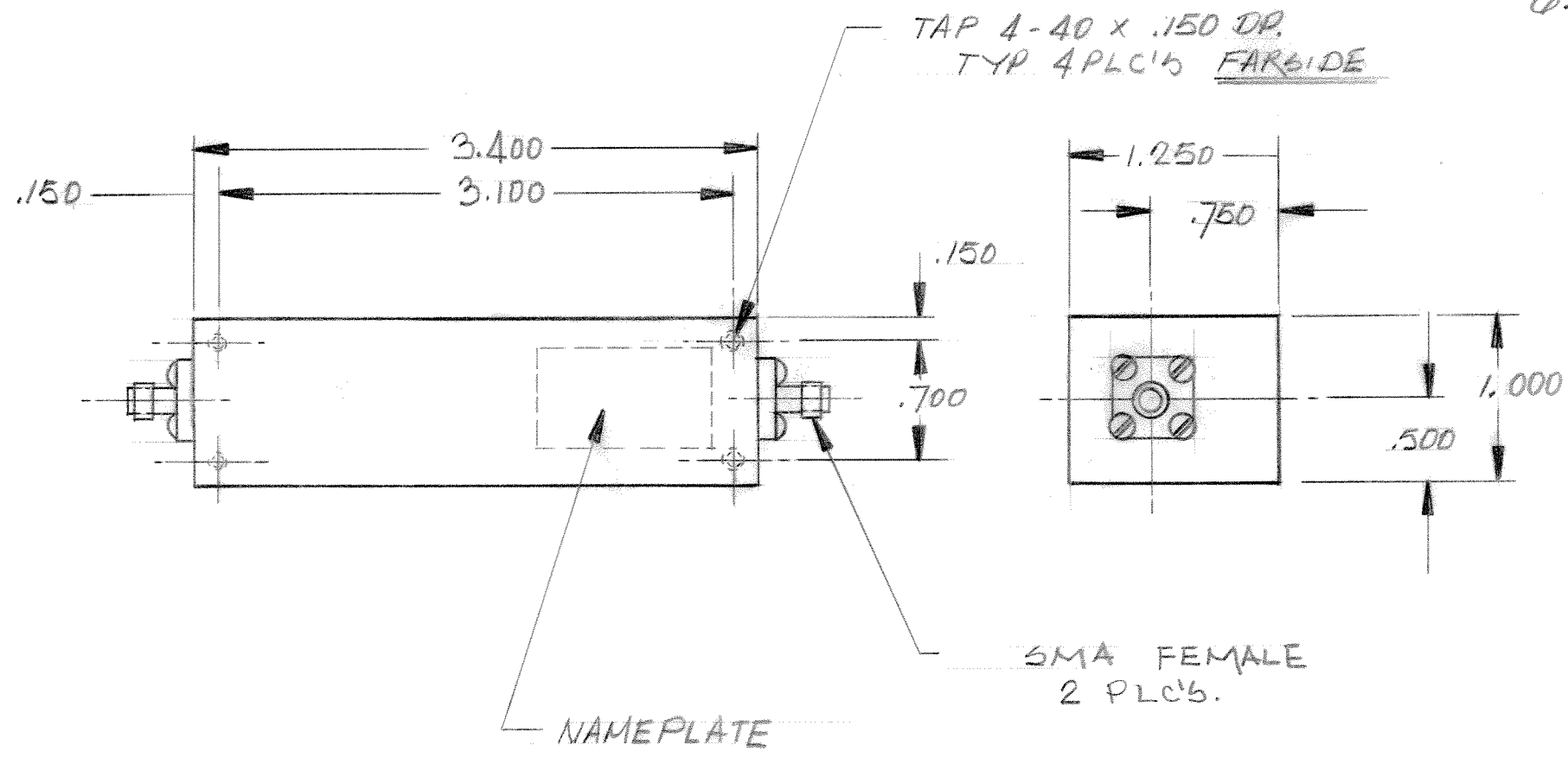


THIS DOCUMENT CONTAINS INFORMATION PROPRIETARY TO DELTA MICROWAVE. ANY REPRODUCTION OF THIS DOCUMENT WITHOUT WRITTEN PERMISSION IS EXPRESSLY PROHIBITED.

REVISIONS				
ZONE	LTR	DESCRIPTION	DATE	APPROVED
-	A	RELEASED	1-15-79	ARR

- SPECIFICATIONS
1. INSERTION LOSS: 1.0 dB MAX.
  2. VSWR: 1.5:1 MAX.
  3. AMPLITUDE FLATNESS  $\pm 0.05$  dB/35 MHz
  4. PHASE NON-LINEARITY  $\pm 0.5$  DEGREES/35 MHz
  5. FREQUENCY  $f_0 = 2060 \pm 40$  MHz
  6. REJECTION 3.15 - 18 GHz - 50 dB, MIN.



2. NAMEPLATE PER MIL-STD-130D  
WHITE POLYURETHANE PER MIL-C-81775 B 17875

NOTES

QTY REQD	CODE IDENT	PART OR IDENTIFYING NO.	NOMENCLATURE OR DESCRIPTION	MATERIAL SPECIFICATION
PARTS LIST				
UNLESS OTHERWISE SPECIFIED DIMENSIONS ARE IN INCHES TOLERANCES ARE: FRACTIONS DECIMALS ANGLES $\pm \frac{\square}{\square}$ .XX $\pm .010$ $\pm \square^\circ$ $\pm .XXX$ $\pm .005$		CONTRACT NO.		DELTA MICROWAVE 755 LAKEFIELD RD. UNIT K WESTLAKE VILLAGE, CALIFORNIA 91361  <b>FILTER</b>
MATERIAL		APPROVALS	DATE	
FINISH		DRAWN <i>R. Zuniga</i>	1-12-79	
DO NOT SCALE DRAWING		CHECKED <i>ARR</i>	1-16-79	
SIZE	CODE IDENT NO.	DRAWING NO.		
<b>B</b>	<b>51719</b>	<b>S 1316</b>		
SCALE	SHEET		OF	
1/1	1		1	