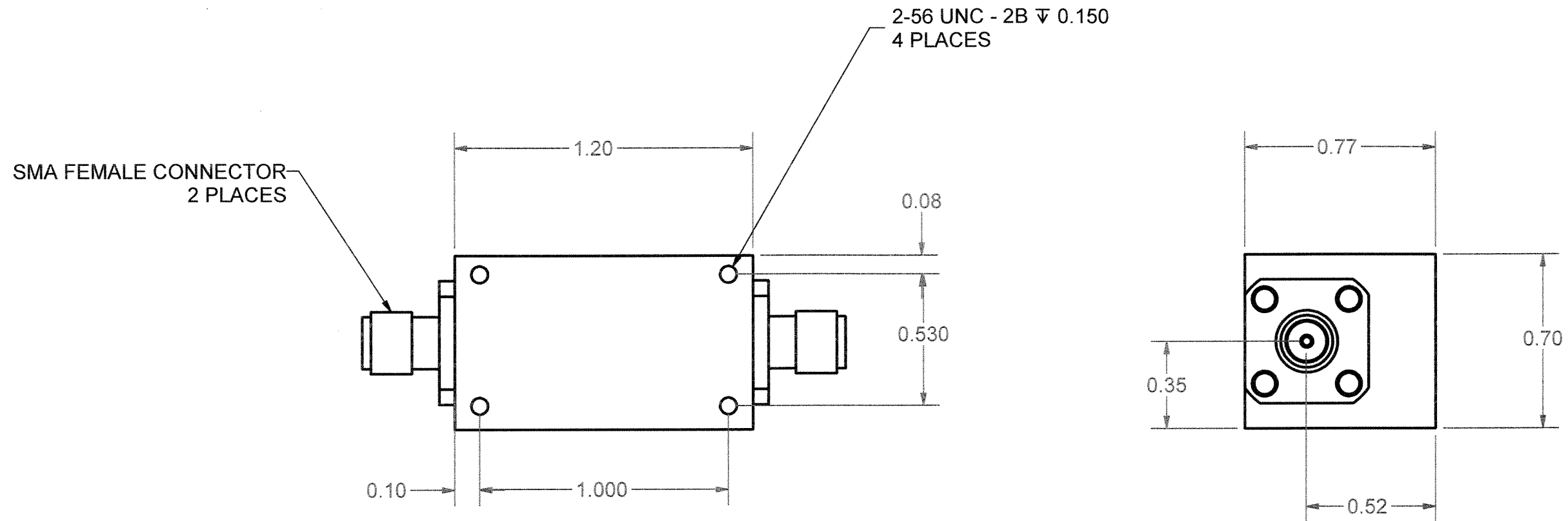


THIS DOCUMENT CONTAINS INFORMATION PROPRIETARY TO DELTA MICROWAVE. ANY REPRODUCTION OF THIS DOCUMENT WITHOUT WRITTEN PERMISSION IS EXPRESSLY PROHIBITED.


ZONE	REV	DISCRIPTION	DATE	APPROVED
	A	RELEASED	03/06/02	<i>[Signature]</i>



2. MARKING: USING BLACK WARNOW INK TO INCLUDE:
DELTA MICROWAVE, MODEL NO., SERIAL NO.,
CODE IDENT. NO. 51719 AND DATE CODE

1. FINISH: HAZE GRAY EPOXY POLYAMIDE TOPCOAT
PER MIL-DTL-24441C, SUP. 1
MIL-DTL-2441/21A, TYP 3, FORMULA 151
USING GREEN EPOXY POLYAMIDE PRIMER
MIL-DTL-2441/20A, TYP 3, FORMULA 150

NOTES:

UNLESS OTHERWISE SPECIFIED DIMENSIONS ARE IN INCHES TOLERANCES ARE: FRACTIONS DECIMALS ANGLES + .xx ± .03 + - .xxx ± .010 -	CONTRACT NO. S1336	 DELTA MICROWAVE 1301 VANGUARD DRIVE OXNARD, CA 93033	TITLE	
	APPROVALS		DATE	BANDPASS FILTER
MATERIAL	DRAWN <i>N. CASTRO</i>	DATE 03/06/02		
FINISH	CHECKED <i>[Signature]</i>	DATE 3/7/02		
USED ON MODEL#	APPROVED <i>[Signature]</i>	DATE 3/7/02	SIZE B	CODE IDENT NO. 51719
	DO NOT SCALE DRAWING		DWG NO. S1336	
		SCALE 2/1	SHEET 1	OF 1