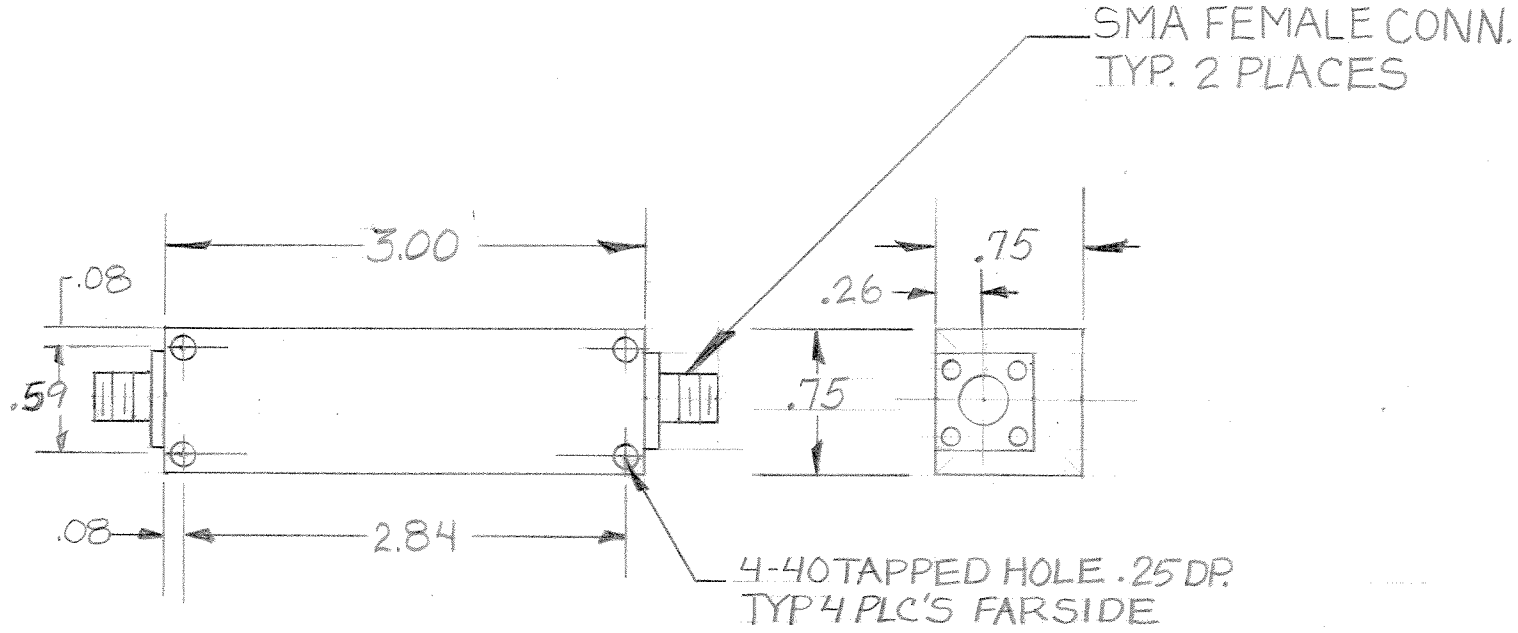


THIS DOCUMENT CONTAINS INFORMATION PROPRIETARY TO DELTA MICROWAVE. ANY REPRODUCTION OF THIS DOCUMENT WITHOUT WRITTEN PERMISSION IS EXPRESSLY PROHIBITED.

REVISIONS				
ZONE	LTR	DESCRIPTION	DATE	APPROVED
	A	RELEASED	10/16/81	<i>RA</i>
	B	REVISION	1/25/82	<i>RA</i>

SPECIFICATIONS:

PASSBAND: 3.7 TO 4.0 GHz
 INSERTION LOSS: 0.75 dB MAX OVER PASSBAND
 VSWR: 1.5:1 MAX OVER PASSBAND
 STOPBAND REJECTION: 25 dB MIN.
 FROM DC TO 34 GHz AND
 4.3 TO 11.55 GHz
 OPERATING TEMPERATURE: 0°C TO +70°C
 STORAGE TEMPERATURE: -10°C TO +85°C



QTY REQD	CODE IDENT	PART OR IDENTIFYING NO.	NOMENCLATURE OR DESCRIPTION	MATERIAL SPECIFICATION
PARTS LIST				
UNLESS OTHERWISE SPECIFIED DIMENSIONS ARE IN INCHES TOLERANCES ARE: FRACTIONS DECIMALS ANGLES $\pm 1/64$.XX $\pm .01$ $\pm 1/2^\circ$.XXX $\pm .005$		CONTRACT NO.	DELTA MICROWAVE 755 LAKEFIELD RD. UNIT K WESTLAKE VILLAGE, CALIFORNIA 91361	
		APPROVALS		
MATERIAL		DRAWN <i>J. Alvey</i>	10/16/81	BANDPASS FILTER
FINISH		CHECKED		
DO NOT SCALE DRAWING				
		SIZE	CODE IDENT NO.	DRAWING NO.
		B	51719	51425
		SCALE		SHEET OF