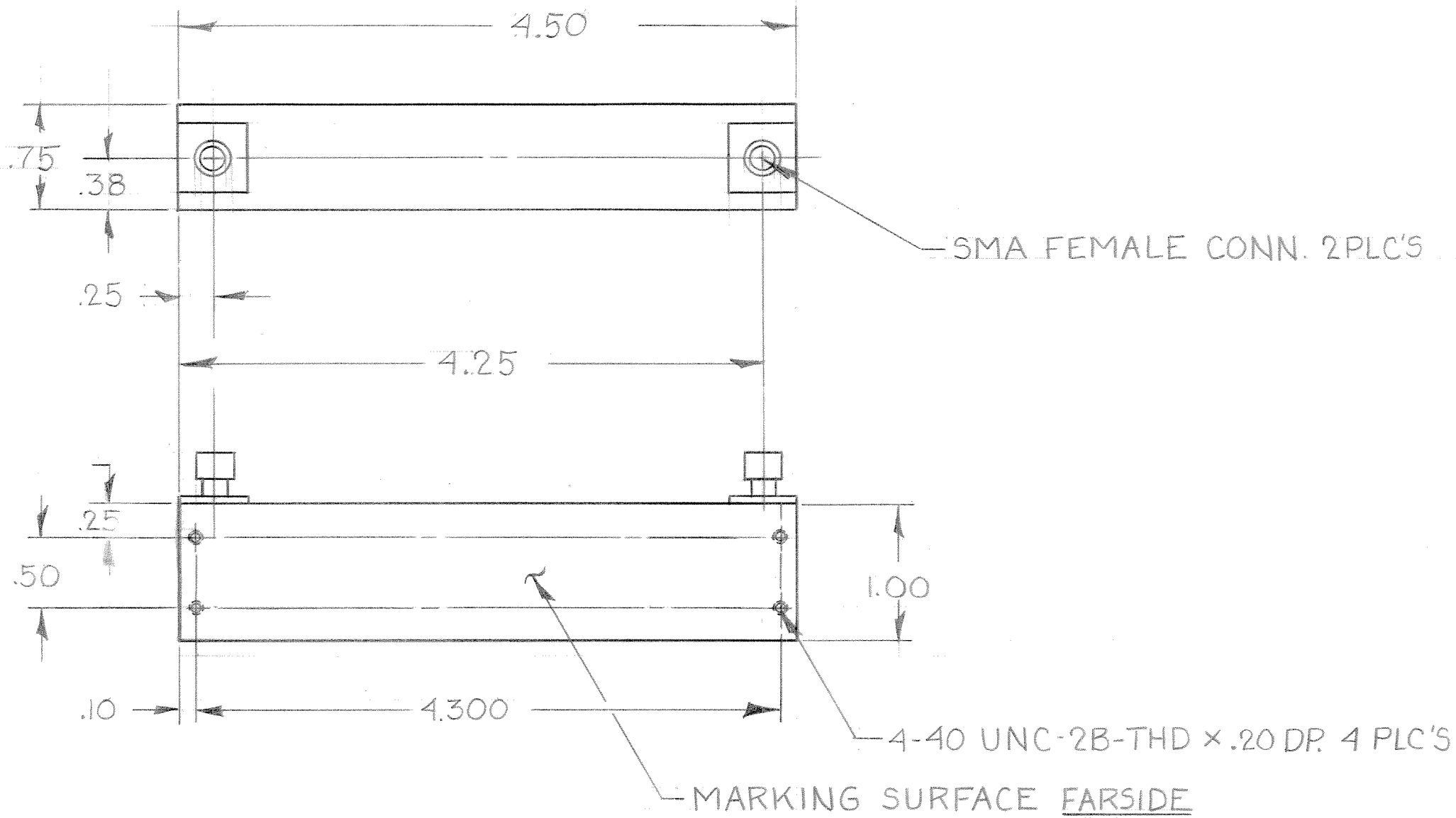


THIS DOCUMENT CONTAINS INFORMATION PROPRIETARY TO DELTA MICROWAVE. ANY REPRODUCTION OF THIS DOCUMENT WITHOUT WRITTEN PERMISSION IS EXPRESSLY PROHIBITED.

REVISIONS				
ZONE	LTR	DESCRIPTION	DATE	APPROVED
	A	RELEASED	3-27-84	<i>[Signature]</i>



2. MARKING: USING BLACK WORNOW INK, TO INCLUDE DELTA MICROWAVE, MODEL NO. **SI428** SERIAL NO., CODE INDET NO. 51719 AND DATE CODE

1. FINISH: GREY POLYURETHANE COATING PER MIL-C-81773 (AS) COLOR NO. 16440, PER FED STD 595 USING EPOXY PRIMER MIL-P-23377C

NOTES:

QTY REQD	CODE IDENT	PART OR IDENTIFYING NO.	NOMENCLATURE OR DESCRIPTION	MATERIAL SPECIFICATION
PARTS LIST				
UNLESS OTHERWISE SPECIFIED DIMENSIONS ARE IN INCHES TOLERANCES ARE: FRACTIONS DECIMALS ANGLES $\pm 1/64$.XX $\pm .01$ $\pm 1/2^\circ$.XXX $\pm .005$		CONTRACT NO.		DELTA MICROWAVE <small>840 VIA ALONDRA CAMARILLO, CALIFORNIA 93010</small>
MATERIAL		APPROVALS	DATE	
FINISH		DRAWN <i>J. Alvey</i>	3-27-84	
DO NOT SCALE DRAWING		CHECKED <i>[Signature]</i>	3-27-84	
			BANDPASS FILTER OUTLINE	
		SIZE	CODE IDENT NO.	DRAWING NO.
		B	51719	SI428
			SCALE	SHEET OF