

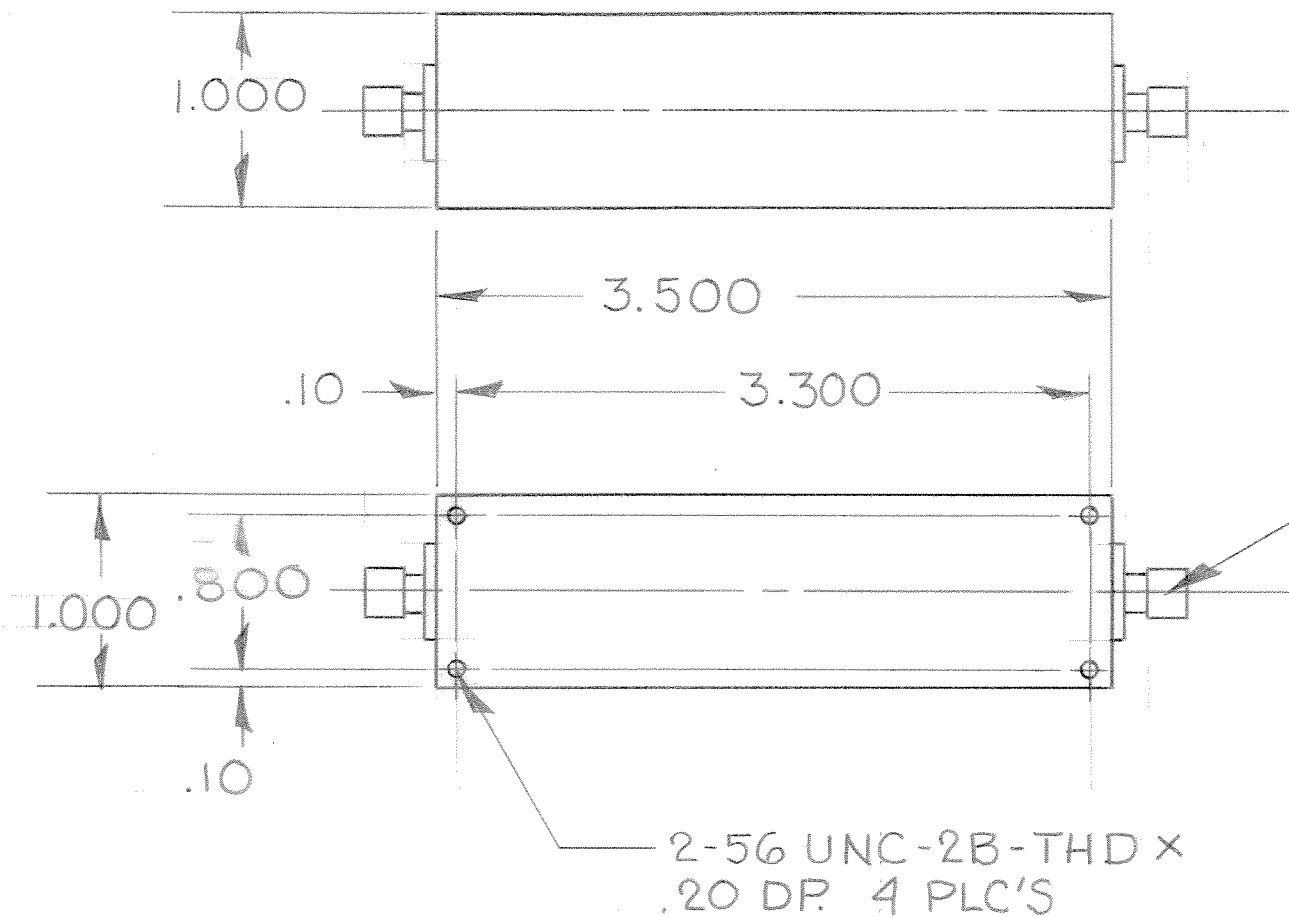
THIS DOCUMENT CONTAINS INFORMATION PROPRIETARY TO DELTA MICROWAVE. ANY REPRODUCTION OF THIS DOCUMENT WITHOUT WRITTEN PERMISSION IS EXPRESSLY PROHIBITED.

REVISIONS				
ZONE	LTR	DESCRIPTION	DATE	APPROVED
		PROPOSAL	4-18-85	<i>AM</i>

SPECIFICATIONS

ELECTRICAL

Center Frequency	2245.0 MHz
3 dB Bandwidth	2190 and 2300 MHz Min. 2165 and 2325 MHz Typical
Bandpass Insertion Loss	0.35 dB Max.
Stopband Insertion Loss	60 dB Min. from DC to 1900 MHz and 2590 to 6000 MHz
Impedance	50 ohms Nominal
VSWR	1.5:1 Max. In/Out
RF Power	0.5 watts Min. 20 watts Peak
ENVIRONMENTAL	
Temperature	Operating -28 to +65°C Non-Operating -62 to +71°C
Shock	MIL-S-901 Type A, Grade B, Class I
Vibration	MIL-STD-167



SMA FEMALE CONNECTOR

2-56 UNC-2B-THD x .20 DR. 4 PLC'S

2. MARKING: USING BLACK WORKING INK, TO INCLUDE DELTA MICROWAVE, MODEL NO. S1433 SERIAL NO., CODE INDET NO. 51719 AND DATE CODE

1. FINISH: GREY POLYURETHANE COATING PER MIL-C-81773 (AS) COLOR NO. 16440, PER FED STD 595 USING EPOXY PRIMER MIL-P-23377C

NOTES:

QTY REQD	CODE IDENT	PART OR IDENTIFYING NO.	NOMENCLATURE OR DESCRIPTION	MATERIAL SPECIFICATION
PARTS LIST				
UNLESS OTHERWISE SPECIFIED DIMENSIONS ARE IN INCHES TOLERANCES ARE:		CONTRACT NO.		
FRACTIONS DECIMALS ANGLES		APPROVALS		
± 1/64 .XX ±.01 ± 1/2°		DATE		
.XXX ±.005		DRAWN <i>J. Alvey</i> 4-18-85		
MATERIAL		CHECKED <i>R. V. Bell</i> 4-10-85		
FINISH		SIZE		
DO NOT SCALE DRAWING		CODE IDENT NO. 51719		
		DRAWING NO. S1433		
		SCALE FULL		
		SHEET OF		

DELTA MICROWAVE

840 VIA ALONDRA
CAMARILLO, CALIFORNIA 93010

BANDPASS FILTER
OUTLINE