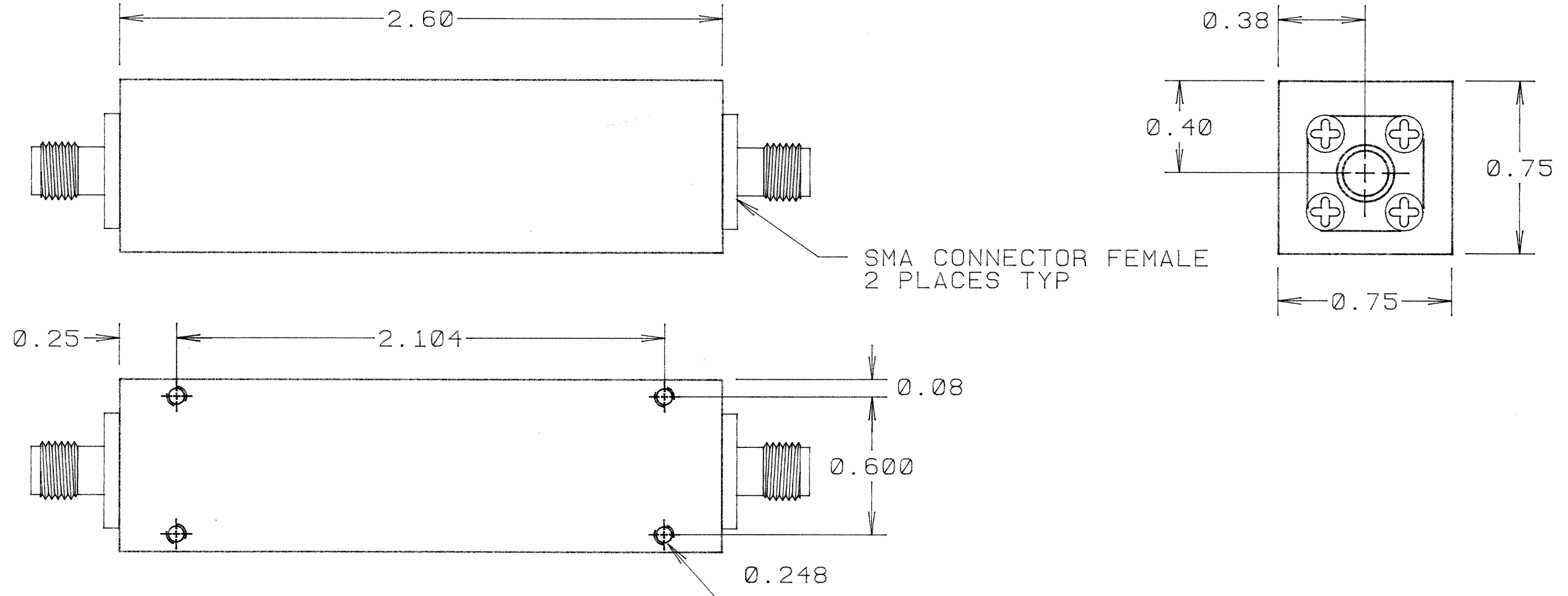


THIS DOCUMENT CONTAINS INFORMATION PROPRIETARY TO DELTA MICROWAVE. ANY REPRODUCTION OF THIS DOCUMENT WITHOUT WRITTEN PERMISSION IS EXPRESSLY PROHIBITED.

REVISIONS				
ZONE	LTR	DESCRIPTION	DATE	APPROVED
	A	RELEASED		<i>[Signature]</i>



SMA CONNECTOR FEMALE
2 PLACES TYP

2-56 UNC-2B X .250 DEEP
4 PLACES

2. MARKING: USING BLACK WORNOW INK, TO INCLUDE:
DELTA MICROWAVE, MODEL NO., SERIAL NO.,
CODE IDENT. NO. 51719 AND DATE CODE.

1. FINISH: HAZE GREY EPOXY POLYAMIDE TOPCOAT
PER MIL-P-24441B TYP 1
(AS) COLOR NO. 26270, FORMULA 151
PER MIL-P-24441/1C, QPL 24441-103
USING EPOXY POLYAMID PRIMER
PER MIL-P-24441B TYPE 1 24272 GREEN
FORMULA 150 PER MIL-P-24441/1C, QPL 24441-103

NOTES:

QTY REQD	CODE IDENT	PART OR IDENTIFYING NO.	NOMENCLATURE OR DESCRIPTION	MATERIAL SPECIFICATION
PARTS LIST				
UNLESS OTHERWISE SPECIFIED DIMENSIONS ARE IN INCHES TOLERANCES ARE: FRACTIONS DECIMALS ANGLES ± .XX ± .01 ± .XXX ± .005		CONTRACT NO. S1447	DELTA MICROWAVE 840 VIA ALONDRA CAMARILLO, CALIFORNIA 93010	
MATERIAL		APPROVALS	DATE	OUTLINE
FINISH		DRAWN D.F. ESTABROOK	1/22/96	
DO NOT SCALE DRAWING		CHECKED <i>[Signature]</i>	1-22-96	SIZE B
				CODE IDENT NO. 51719
				DRAWING NO. S1447
				SCALE 2:1
				SHEET 1 OF 1