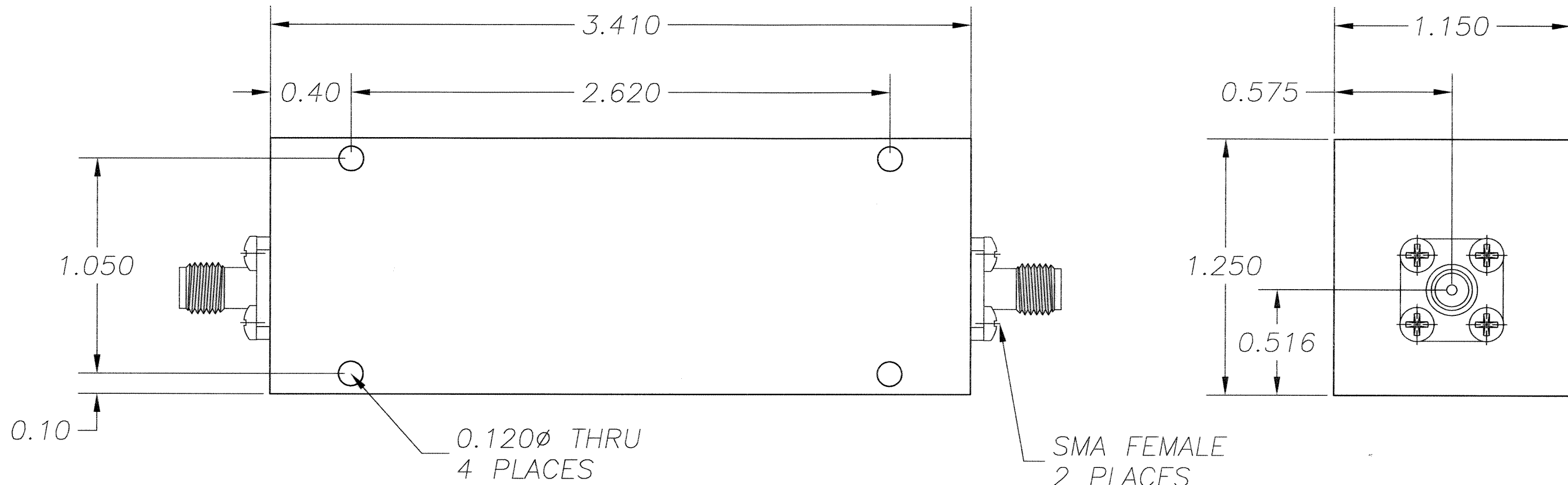


THIS DOCUMENT CONTAINS INFORMATION PROPRIETARY TO DELTA MICROWAVE. ANY REPRODUCTION OF THIS DOCUMENT WITHOUT WRITTEN PERMISSION IS EXPRESSLY PROHIBITED.

REVISIONS				
ZONE	REV	DESCRIPTION	DATE	APPROVED
	A	RELEASED	03/06/00	<i>[Signature]</i>



2. MARKING: USING BLACK WARNOW INK TO INCLUDE:
DELTA MICROWAVE, MODEL NO., SERIAL NO.,
CODE IDENT. NO. 51719 AND DATE CODE

1: FINISH: HAZE GRAY EPOXY POLYAMIDE TOPCOAT
PER MIL-P-24441B TYP.1
(AS)COLOR NO.26270,FORMULA 151
PER MIL-P-24441/1C,QPL 24441-103
USING EPOXY POLYAMIDE PRIMER
PER MIL-P-24441B TYP.1 24272 GREEN
FORMULA 150 PER MIL-P-24441/1C,QPL 24441-103

NOTES:

QTY REQD	CODE IDENT	PART OR IDENTIFYING NO.	NOMENCLATURE OR DESCRIPTION	MATERIAL SPECIFICATION
PARTS LIST				
UNLESS OTHERWISE SPECIFIED DIMENSIONS ARE IN INCHES TOLERANCES ARE: FRACTIONS DECIMALS ANGLES + .XX \pm .03 + - .XXX \pm .010 -		CONTRACT NO. S1462	DELTA microwave 1301 VANGUARD DR. OXNARD CALIFORNIA 93033	
		APPROVALS	DATE	TITLE
		DRAWN D.F.ESTABROOK	03/06/00	OUTLINE
		CHECKED <i>[Signature]</i>	3/6/00	
		APPROVED <i>[Signature]</i>	3/6/00	
MATERIAL			SIZE B	CODE IDENT NO. 51719
FINISH				DRAWING NO. S1462
S1462				
USED ON MODEL#		DO NOT SCALE DRAWING	SCALE 2/1	SHEET 1 OF 1