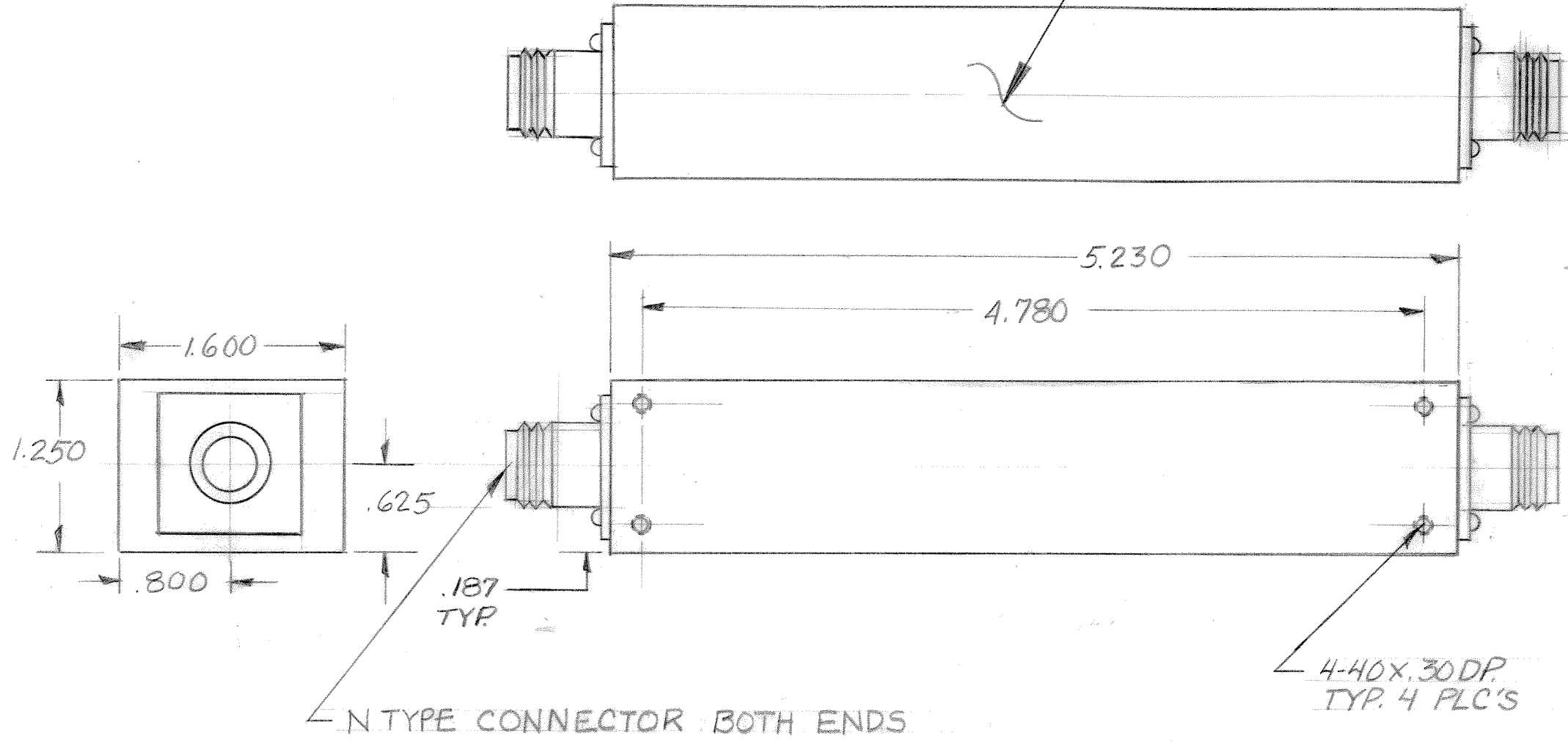


THIS DOCUMENT CONTAINS INFORMATION PROPRIETARY TO DELTA MICROWAVE. ANY REPRODUCTION OF THIS DOCUMENT WITHOUT WRITTEN PERMISSION IS EXPRESSLY PROHIBITED.

REVISIONS				
ZONE	LTR	DESCRIPTION	DATE	APPROVED
	A	RELEASED	1-13-81	<i>[Signature]</i>
	B	E.C.O 101516	11-15-84	<i>[Signature]</i>



SPECIFICATIONS

Frequency Range: 2200-2300 MHz
 Insertion Loss: 0.3db
 Pass Band Ripple: 0.3db
 Rejection: -60db at 1900 MHz
 -60db at 2590 MHz
 Amplitude Match in Pass Band Matched Set: 0.2db Max.
 Phase Match in Pass Band Matched Set: ± 5 Degrees

2. MARKING: USING BLACK WORNOW INK, TO INCLUDE DELTA MICROWAVE, MODEL NO. 51518 SERIAL NO., CODE INDET NO. 51719 AND DATE CODE

1. FINISH: GREY POLYURETHANE COATING PER MIL-C-81773 (AS) COLOR NO. 16440, PER FED STD 595 USING EPOXY PRIMER MIL-P-23377C

NOTES:

QTY REQD	CODE IDENT	PART OR IDENTIFYING NO.	NOMENCLATURE OR DESCRIPTION	MATERIAL SPECIFICATION
PARTS LIST				
UNLESS OTHERWISE SPECIFIED DIMENSIONS ARE IN INCHES TOLERANCES ARE: FRACTIONS DECIMALS ANGLES ± 1/64 .XX ± .01 ± 1/2° .XXX ± .005			CONTRACT NO. APPROVALS DATE DRAWN <i>J. Alway</i> 1/13/81 CHECKED <i>[Signature]</i> 1/14/81 MATERIAL FINISH DO NOT SCALE DRAWING	
			DELTA MICROWAVE 755 LAKEFIELD RD. UNIT K WESTLAKE VILLAGE, CALIFORNIA 91361 BAND PASS FILTER	
		SIZE	CODE IDENT NO.	DRAWING NO.
		B	51719	<i>S 1518</i>
SCALE			SHEET	OF