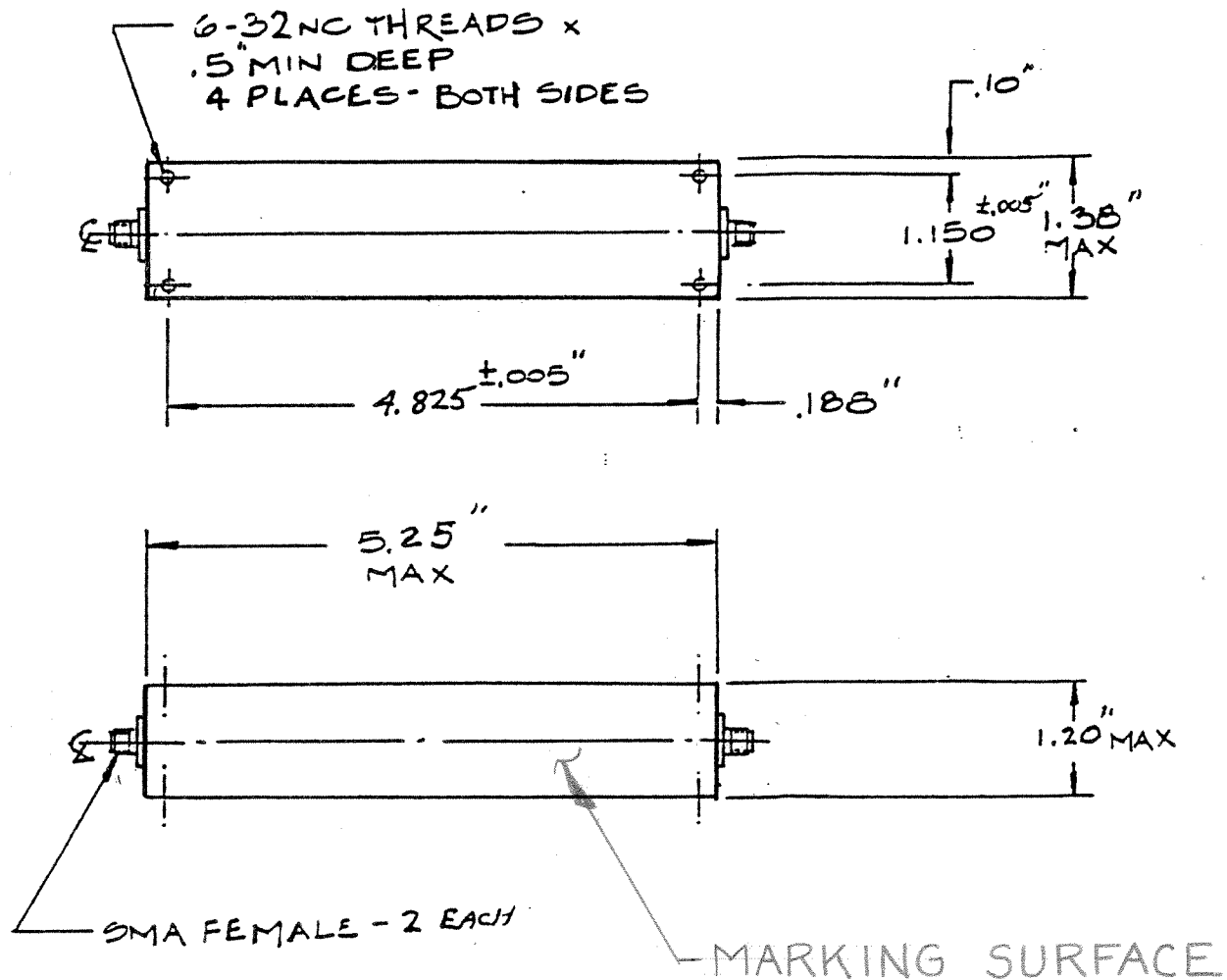


THIS DOCUMENT CONTAINS INFORMATION PROPRIETARY TO DELTA MICROWAVE. ANY REPRODUCTION OF THIS DOCUMENT WITHOUT WRITTEN PERMISSION IS EXPRESSLY PROHIBITED.

REVISIONS				
ZONE	LTR	DESCRIPTION	DATE	APPROVED
	A	RELEASED	4-18-84	///



SPECIFICATIONS

Passband	2200 to 2300 MHz
Passband Insertion Loss	0.25 dB Max.
Passband VSWR	1.3:1 Max.
Stopband Rejection	45 dB Min. from 100 to 2000 MHz and 2500 to 6000 MHz

2. MARKING: USING BLACK WORNOW INK, TO INCLUDE DELTA MICROWAVE, MODEL NO. S1525 SERIAL NO., CODE INDET NO. 51719 AND DATE CODE

1. FINISH: GREY POLYURETHANE COATING PER MIL-C-81773 (AS) COLOR NO. 16440, PER FED STD 595 USING EPOXY PRIMER MIL-P-23377C

NOTES

QTY REQD	CODE IDENT	PART OR IDENTIFYING NO.	NOMENCLATURE OR DESCRIPTION	MATERIAL SPECIFICATION
PARTS LIST				
UNLESS OTHERWISE SPECIFIED DIMENSIONS ARE IN INCHES TOLERANCES ARE: FRACTIONS DECIMALS ANGLES ± N/A .XX ± .03 ± N/A .XXX ± .01			CONTRACT NO. <u>S1525</u> DELTA MICROWAVE 840 VIA ALONDRA CAMARILLO, CALIFORNIA 93010	
APPROVALS			DATE	
DRAWN <u>J. Alvey</u>			4-18-84	
CHECKED <u>[Signature]</u>			4-18-84	
MATERIAL			BANDPASS FILTER	
FINISH				
DO NOT SCALE DRAWING			SIZE B	CODE IDENT NO. 51719
			DRAWING NO. <u>S1525</u>	
			SCALE	SHEET OF