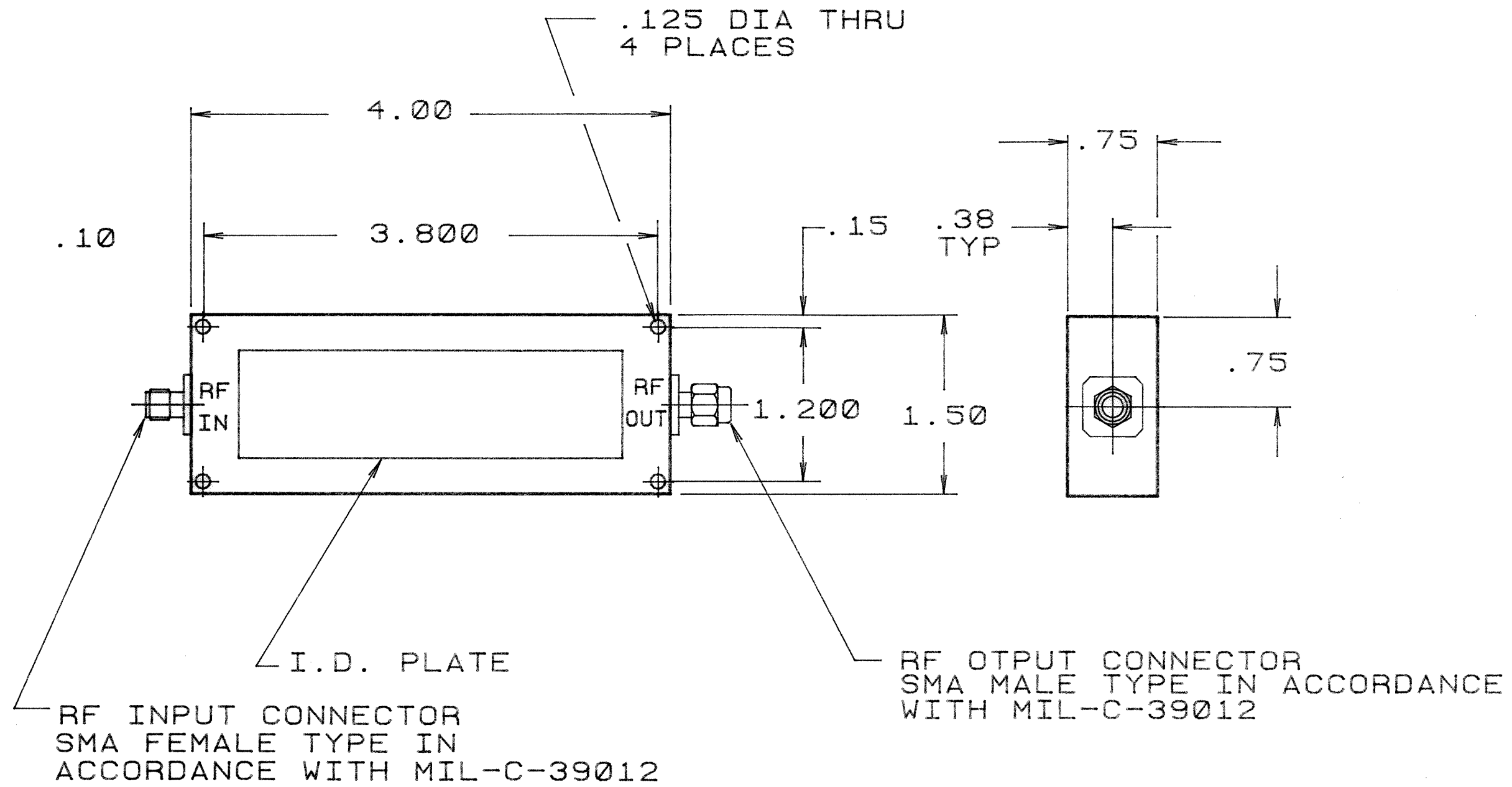


THIS DOCUMENT CONTAINS INFORMATION PROPRIETARY TO DELTA MICROWAVE. ANY REPRODUCTION OF THIS DOCUMENT WITHOUT WRITTEN PERMISSION IS EXPRESSLY PROHIBITED.

REVISIONS				
ZONE	LTR	DESCRIPTION	DATE	APPROVED
	A	RELEASED	6/5/89	



2. IDENTIFICATION PLATE SHALL BE IN ACCORDANCE WITH MIL-P-15024, TYPE H, STYLE III, PRESSURE SENSITIVE ADHESIVE BACKED. MARK BLANKS FOR PERMANENCY AND LEGIBILITY IN ACCORDANCE WITH MIL-STD-130

1. FINISH: COAT FILTER WITH LUSTERLESS ENAMEL CONFORMING TO TT-E-527, COMPOSITION G, ORANGE COLOR CHIP NO.32246 OF FED-STD-595. CONNECTORS SHALL BE FREE OF ENAMEL COATING

NOTES:

QTY REQD	CODE IDENT	PART OR IDENTIFYING NO.	NOMENCLATURE OR DESCRIPTION	MATERIAL SPECIFICATION
PARTS LIST				
UNLESS OTHERWISE SPECIFIED DIMENSIONS ARE IN INCHES TOLERANCES ARE:		CONTRACT NO. S1540	DELTA MICROWAVE 840 VIA ALONDRA CAMARILLO, CALIFORNIA 93010	
FRACTIONS	DECIMALS	ANGLES	APPROVALS	DATE
± .XX	± .01	±		7-8-96
	± .XXX	± .005	CHECKED	
MATERIAL				
FINISH		7-8-96		
1		SIZE	CODE IDENT NO.	DRAWING NO.
DO NOT SCALE DRAWING		B	51719	S1540
SCALE 2:1			SHEET 1 OF 1	