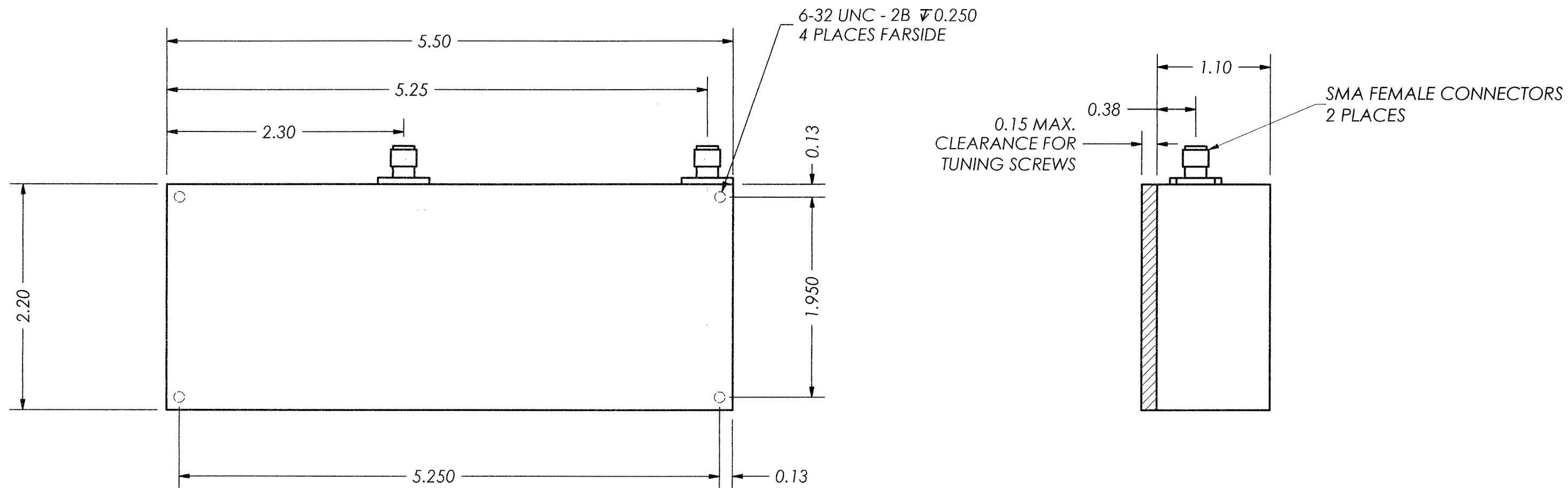


THIS DOCUMENT CONTAINS INFORMATION PROPRIETARY TO DELTA MICROWAVE. ANY REPRODUCTION WITHOUT WRITTEN PERMISSION IS EXPRESSLY PROHIBITED.

ZONE	REV	DESCRIPTION	DATE	APPROVED
	A	RELEASED	03/07/02	
	B	REDESIGNED	03/27/02	



2. MARKING: USING CLEAR LABEL WITH BLACK CHARACTERS TO INCLUDE DELTA MICROWAVE, MODEL NO., SERIAL NO. CODE IDENT. NO. 51719 AND DATE CODE

1. FINISH: HAZE GREY EPOXY POLYAMIDE TOPCOAT PER MIL-P-24441B TYP. 1 (AS) COLOR NO. 26270, FORMULA 151 PER MIL-P-24441/1C, QPL 24441-103 USING EPOXY POLYAMID PRIMER PER MIL-P-2441B TYP. 1 24272 GREEN FORMULA 150 PER MIL-P-24441/1C, QPL 24441-103

NOTES:

UNLESS OTHERWISE SPECIFIED DIMENSIONS ARE IN INCHES TOLERANCES ARE: FRACTIONS DECIMALS ANGLES + .xx ± .03 + - .xxx ± .010 -	CONTRACT NO. S1732		DELTA MICROWAVE 1301 VANGUARD DRIVE OXNARD, CA 93033
	APPROVALS	DATE	
MATERIAL	DRAWN D.F. ESTABROOK	03/27/02	TITLE
FINISH	CHECKED <i>NCA/SPD</i>	3/27/02	OUTLINE
USED ON MODEL#	APPROVED <i>SPD</i>	3/27/02	SIZE B
DO NOT SCALE DRAWING	SCALE FULL		CODE IDENT NO. 51719
	SHEET 1 OF 1		DWG NO. S1732