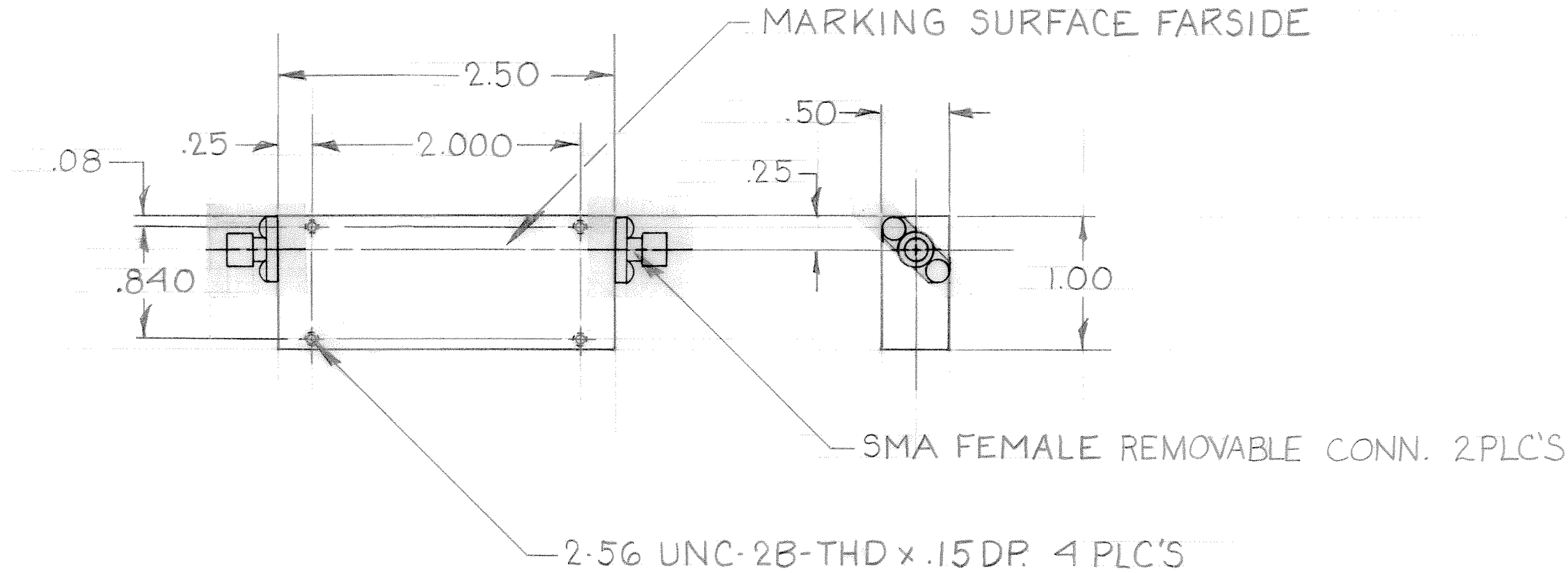


THIS DOCUMENT CONTAINS INFORMATION PROPRIETARY TO DELTA MICROWAVE. ANY REPRODUCTION OF THIS DOCUMENT WITHOUT WRITTEN PERMISSION IS EXPRESSLY PROHIBITED.

REVISIONS				
ZONE	LTR	DESCRIPTION	DATE	APPROVED
	A	RELEASED	7-11-84	<i>[Signature]</i>
	B	ECO # 101424	7-17-84	<i>[Signature]</i>
	C	ECO # 101450	8-24-84	<i>[Signature]</i>



3. NO PAINT ON MOUNTING SURFACE
2. MARKING: USING BLACK WORNOW INK, TO INCLUDE DELTA MICROWAVE, MODEL NO. S1921 SERIAL NO., CODE INDET NO. 51719 AND DATE CODE
1. FINISH: GREY POLYURETHANE COATING PER MIL-C-81773 (AS) COLOR NO. 16440, PER FED STD 595 USING EPOXY PRIMER MIL-P-23377C

NOTES

QTY REQD	CODE IDENT	PART OR IDENTIFYING NO.	NOMENCLATURE OR DESCRIPTION	MATERIAL SPECIFICATION
PARTS LIST				
UNLESS OTHERWISE SPECIFIED DIMENSIONS ARE IN INCHES TOLERANCES ARE:		CONTRACT NO.		DELTA MICROWAVE 840 VIA ALONDRA CAMARILLO, CALIFORNIA 93010
FRACTIONS DECIMALS ANGLES ± N/A .XX ± .03 ± N/A .XXX ± .01		APPROVALS	DATE	
MATERIAL		DRAWN <i>J. Abrey</i>	7-11-84	BANDPASS FILTER
FINISH		CHECKED <i>[Signature]</i>	7-13-84	
DO NOT SCALE DRAWING		SIZE	CODE IDENT NO.	DRAWING NO.
		B	51719	S1921
		SCALE		SHEET OF