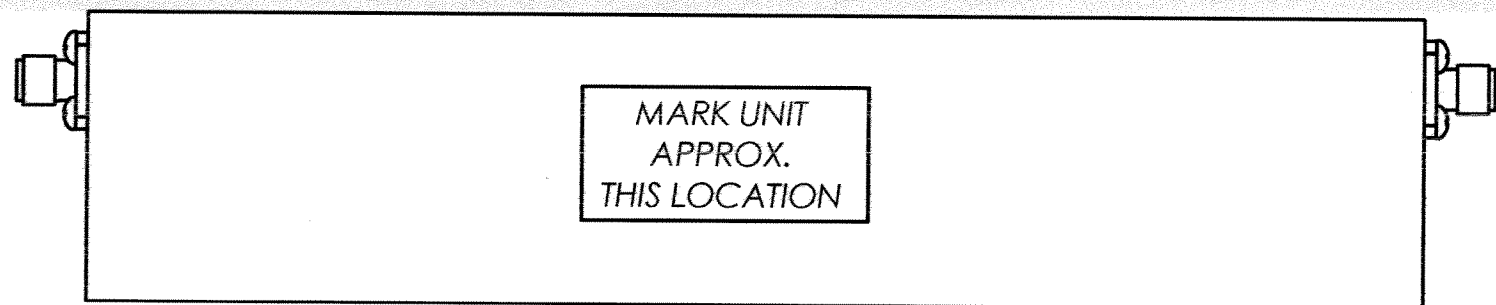
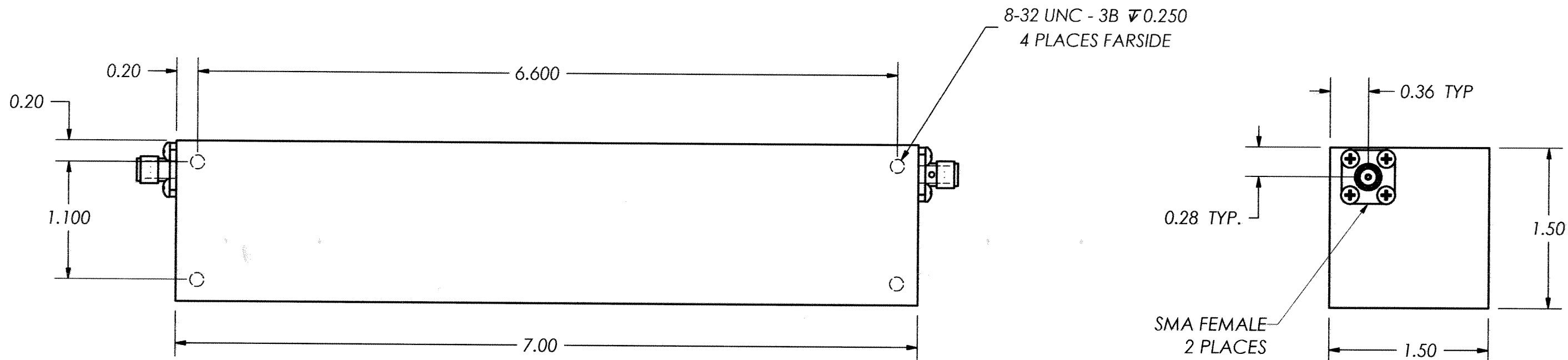


THIS DOCUMENT CONTAINS INFORMATION PROPRIETARY TO DELTA MICROWAVE. ANY REPRODUCTION WITHOUT WRITTEN PERMISSION IS EXPRESSLY PROHIBITED.

ZONE	REV	DESCRIPTION	DATE	APPROVED
	A	FIRST ENG. RELEASE	05/27/05	<i>[Signature]</i>



2. MARKING: USING LABEL OR BLACK WARNOW INK TO INCLUDE:  
DELTA MICROWAVE, MODEL NO., SERIAL NO.,  
CODE IDENT. NO. 51719 AND DATE CODE

1: FINISH: HAZE GRAY EPOXY POLYAMIDE TOPCOAT  
PER MIL-DTL-24441C, SUP.1  
MIL-DTL-24441/21, TYP 3, FORMULA 151  
USING GREEN EPOXY POLYAMIDE PRIMER  
MIL-DTL-24441/20, TYP 3, FORMULA 150

NOTES:

UNLESS OTHERWISE SPECIFIED  
DIMENSIONS ARE IN INCHES  
TOLERANCES ARE:  
FRACTIONS    DECIMALS    ANGLES  
+                .xx ± .03        +  
-                .xxx ± .010     -

USED ON MODEL#	DO NOT SCALE DRAWING

CONTRACT NO. S2507

APPROVALS  
DRAWN J.A. DE HORTA 05/27/05

REVISED

CHECKED *[Signature]* 05/31/05  
APPROVED *[Signature]* 5/27/05

**Delta Microwave Inc.**  
1301 VANGUARD DRIVE OXNARD, CA 93033

TITLE  
**S2507 OUTLINE**

SIZE B    CODE IDENT NO. 51719    DWG NO. S2507

SCALE 1/1    SHEET 1 OF 1