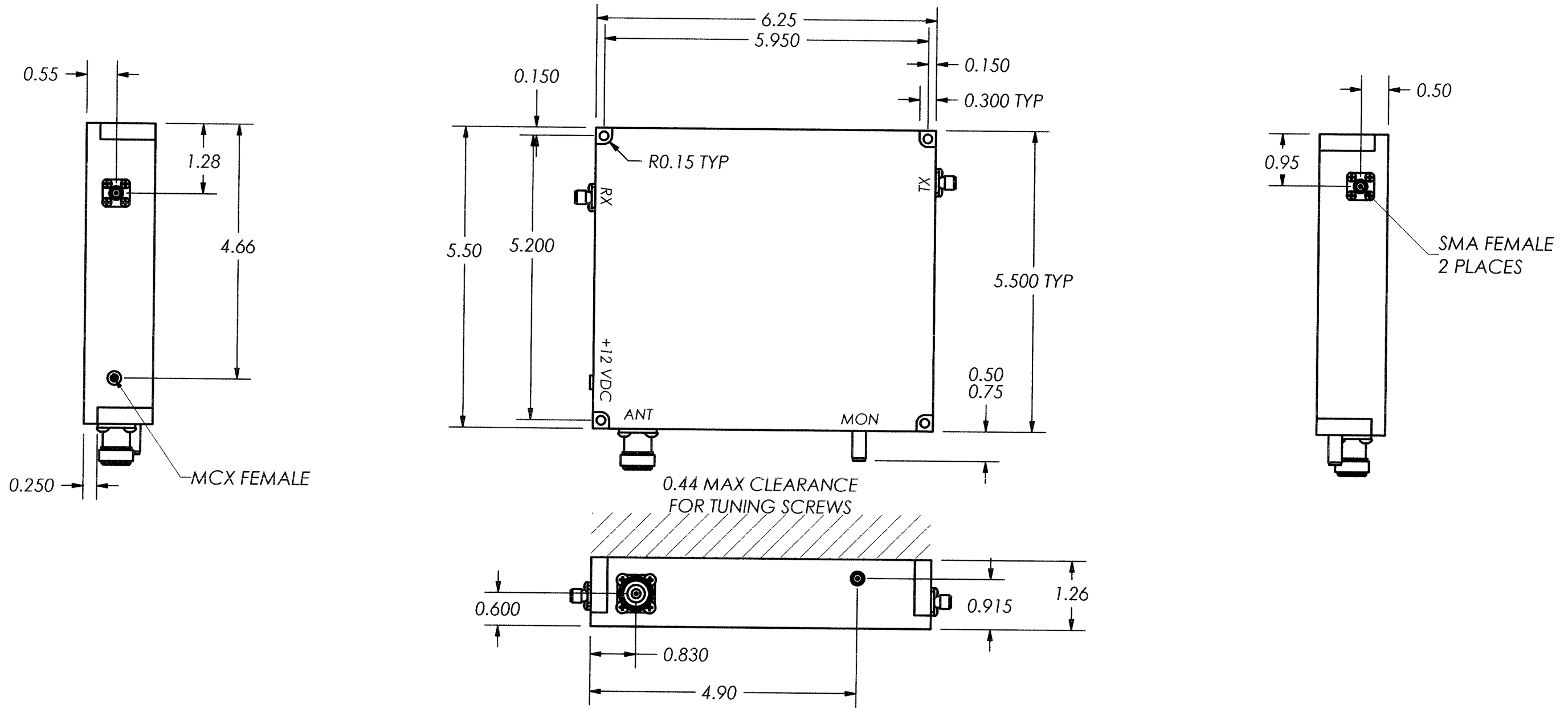


THIS DOCUMENT CONTAINS INFORMATION PROPRIETARY TO DELTA MICROWAVE. ANY REPRODUCTION WITHOUT WRITTEN PERMISSION IS EXPRESSLY PROHIBITED.

ZONE	REV	DESCRIPTION	DATE	APPROVED
	A	RELEASED	09/13/02	R.E.S.
	B	ECO#106062	09/20/02	



2. MARKING: USING CLEAR LABEL WITH BLACK CHARACTERS TO INCLUDE DELTA MICROWAVE, MODEL NO., OUTLINE REVISION NO., SERIAL NO., CODE IDENT. NO.51719 AND DATE CODE CUSTOMER PART NUMBER: RFM2400774

1. FINISH: SILVER PLATE
0.0003-0.0005 THICK
PER QQ-S-365, TY.2, GR B.

NOTES:

UNLESS OTHERWISE SPECIFIED DIMENSIONS ARE IN INCHES TOLERANCES ARE:		CONTRACT NO. S5456-AE		DELTA MICROWAVE 1301 VANGUARD DRIVE OXNARD, CA 93033	
FRACTIONS	DECIMALS	ANGLES	APPROVALS	DATE	TITLE
+	.xx ± .02	+	N. CASTRO	09/13/02	OUTLINE
-	.xxx ± .010	-	CHECKED D.F. Establimic	9/27/02	
MATERIAL			APPROVED M JUE	9/27/02	SIZE
FINISH			SEE NOTE 1		CODE IDENT NO.
USED ON MODEL#			DO NOT SCALE DRAWING		B
					51719
					DWG NO
					S5456-AE
					SCALE 1:2
					SHEET 1 OF 1