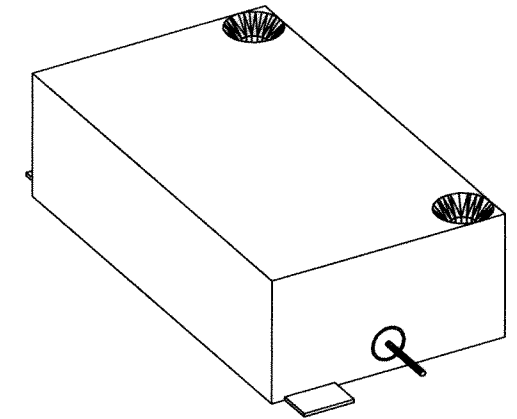
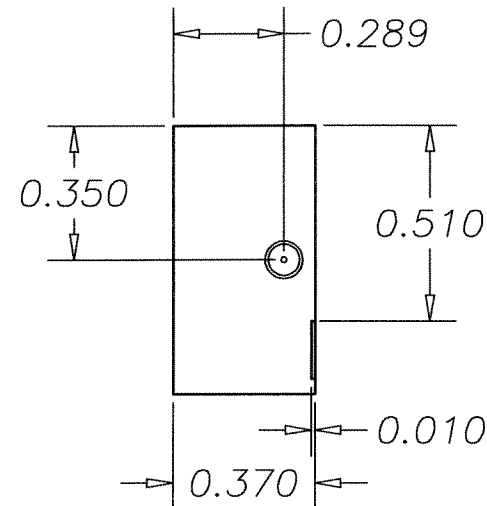
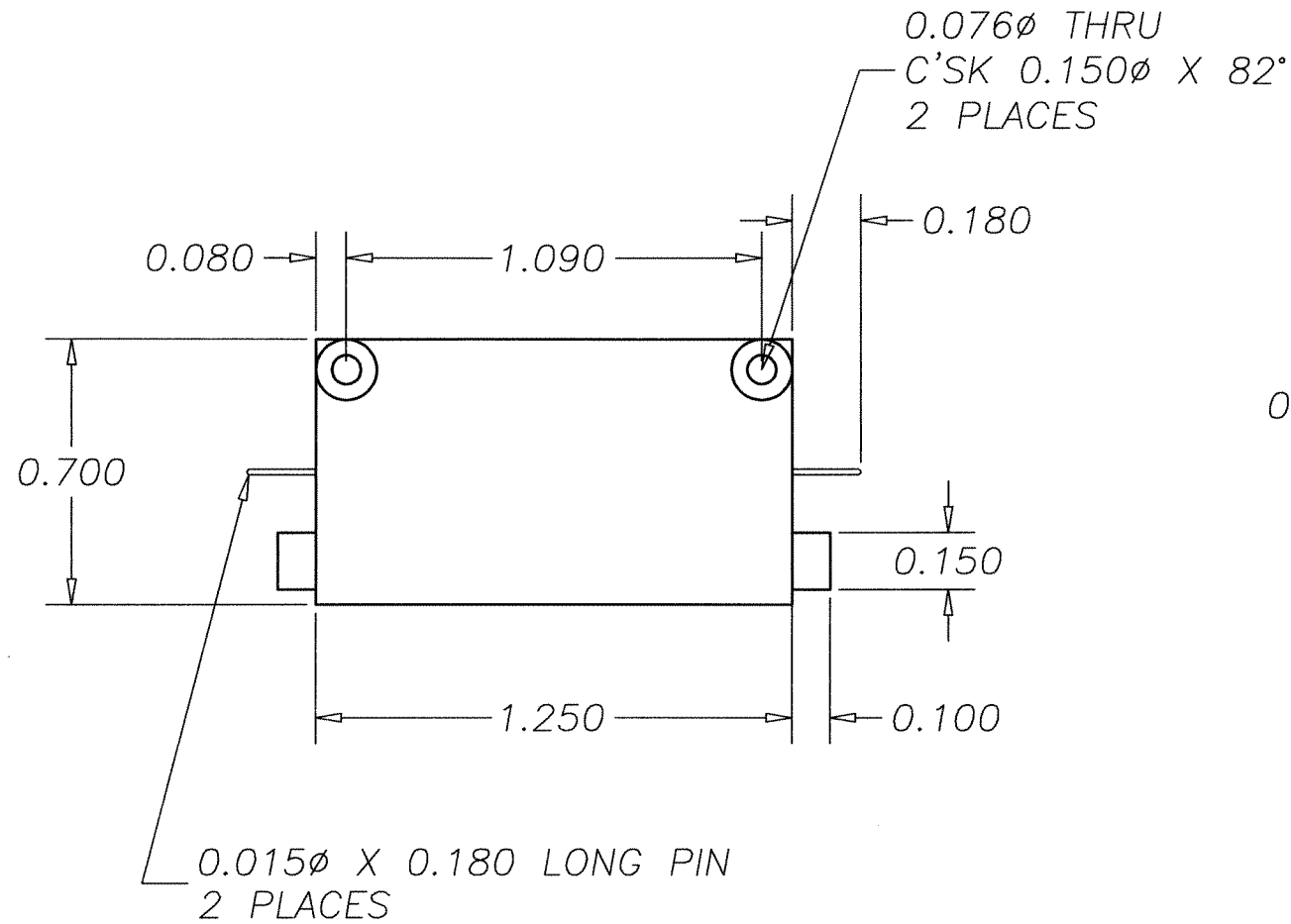


THIS DOCUMENT CONTAINS INFORMATION PROPRIETARY TO DELTA MICROWAVE. ANY REPRODUCTION OF THIS DOCUMENT WITHOUT WRITTEN PERMISSION IS EXPRESSLY PROHIBITED.

REVISIONS				
ZONE	REV	DESCRIPTION	DATE	APPROVED
	A	RELEASED	05/26/98	
	B	RECONFIGURED	06/15/98	



2. MARKING: USING BLACK WARNOW INK TO INCLUDE:
DELTA MICROWAVE, MODEL NO., SERIAL NO.,
CODE IDENT. NO. 51719 AND DATE CODE

1: FINISH: HAZE GRAY EPOXY POLYAMIDE TOPCOAT
PER MIL-P-24441B TYP.1

NOTES:

QTY REQD	CODE IDENT	PART OR IDENTIFYING NO.	NOMENCLATURE OR DESCRIPTION	MATERIAL SPECIFICATION
PARTS LIST				
UNLESS OTHERWISE SPECIFIED DIMENSIONS ARE IN INCHES TOLERANCES ARE: FRACTIONS DECIMALS ANGLES + .XX \pm .03 + - .XXX \pm .010 -		CONTRACT NO. U1393	DELTA MICROWAVE 1301 VANGUARD DR. OXNARD CALIFORNIA 93033	
		APPROVALS	DATE	TITLE
MATERIAL		DRAWN D.F. ESTABROOK	05/26/98	OUTLINE
		CHECKED <i>[Signature]</i>	6/16/98	
FINISH		APPROVED		SIZE B
				CODE IDENT NO. 51719
				DRAWING NO. U1393
DO NOT SCALE DRAWING			SCALE 2/1	SHEET 1 OF 1